

PERGOLA



WIŚNIEWSKI

GATES | WINDOWS | DOORS | FENCES

ALUMINIUM PERGOLA ECHO

The ECHO pergola is a functional canopy that takes residential buildings, restaurants, and gardens into a new, limitless dimension.

The pergola may be installed as a wall-mounted structure, attached to the building, or as a free-standing structure, independently located in the garden.

UP TO 10 YEARS WARRANTY

Quality assurance, safety of use and peace of mind for many years.
10-year warranty on paint coating,
5-year warranty on functionality,
2-year warranty on electronics.

DESIGN

Colours tailored to your needs.
RAL structural colours and the
unique HOME INCLUSIVE 2.0
collection.
DuoColour and Decor versions
available.

io AUTOMATION

Integrate with the smart
home system and enjoy
smart control with a selected
TaHoma® Switch central
control unit.



ECHO PERGOLA

CHARACTERISTICS



- The structure is made of extruded aluminium profiles.
- The pergola roof consists of movable aluminium chamber louvres with a rotation angle from 0° to 110°.
- When closed, the roof fits tightly to the frame, creating a sealed canopy thanks to gaskets integrated in both the louvres and the structural frame.
- The structure is equipped with an integrated water drainage system concealed within the posts.
- An optional raised crown (top extension) is available to conceal the opening louvres and the actuator during operation.
- There are no visible mounting elements – the fastening components remain hidden beneath the fascia panels made of aluminium profiles.
- The structure can be powder-coated in RAL mat structure colours, HI colours and Decor finishes. The louvres are available in RAL mat structure colours and HI colours.

STANDARD ACCESSORIES

As standard, every ECHO pergola is equipped with:

- an actuator and the Situo 5 VAR A/M io 5-channel remote control, optionally the Ysia Patio io 16-channel remote control,
- a controller with an integrated temperature sensor,
- a wind sensor.



5-channel remote
Situo 5 VAR A/M io



16-channel remote
Ysia Patio io

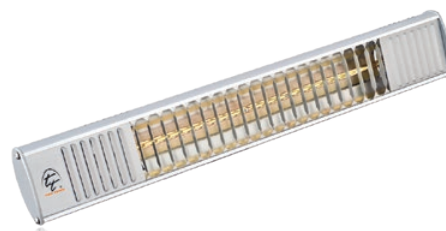


Wind
sensor

OPTIONAL ACCESSORIES

The ECHO Pergola can additionally be equipped with:

- linear LED lighting integrated into the louvres or gutter,
- an infrared radiator,
- zip screen side shades,
- the Slide Glass cascade sliding glass door system,
- a rain sensor,
- control via the TaHoma® switch central control unit.



Infrared radiator



Rain sensor



CROSS-SECTIONS AND VIEWS

FREE-STANDING ECHO PERGOLA



WALL-MOUNTED ECHO PERGOLA



ECHO PERGOLA DIMENSIONS

Maximum dimensions	Free-standing pergola	Wall-mounted pergola
Maximum width	4,000 [mm]	4,000 [mm]
Maximum depth	6,860 [mm]	7,010 [mm]
Maximum height	3,000 [mm]	3,000 [mm]

Minimum dimensions	Free-standing pergola	Wall-mounted pergola
Minimum width	1,200 [mm]	1,200 [mm]
Minimum depth	1,280 [mm]	1,280 [mm]
Height	194 [mm]	194 [mm]

TECHNICAL INFORMATION

ECHO PERGOLA DIMENSIONS

Free-standing version	ECHO PERGOLA															
Pergola depth (length)	1,280*	1,460	1,640	1,820	2,000	2,180	2,360	2,540	2,720	2,900	3,080	3,260	3,440	3,620	3,800	3,980
Number of louvres	6	7	8	9	10	11	12	13	14	15	16	17	18	19	20	21
Pergola depth (length)	4,160	4,340	4,520	4,700	4,880	5,060	5,240	5,420	5,600	5,780	5,960	6,140	6,320	6,500	6,680	6,860
Number of louvres	22	23	24	25	26	27	28	29	30	31	32	33	34	35	36	37
Pergola width	1,200**	4,000														
Pergola height	500	3,000														

* The minimum depth of the ECHO pergola in the free-standing version is 1,280 mm; the maximum on 4 legs is 5,060 mm. Over this depth, 2 additional legs are required. The maximum depth on 6 legs is 6,860 mm.

** The pergola width ranges from a minimum of 1,200 mm to a maximum of 4,000 mm.

Wall-mounted version	ECHO PERGOLA															
Pergola depth (length)	1,430*	1,610	1,790	1,970	2,150	2,330	2,510	2,690	2,870	3,050	3,230	3,410	3,590	3,770	3,950	4,130
Number of louvres	6	7	8	9	10	11	12	13	14	15	16	17	18	19	20	21
Pergola depth (length)	4,310	4,490	4,670	4,850	5,030	5,210	5,390	5,570	5,750	5,930	6,110	6,290	6,470	6,650	6,830	7,010
Number of louvres	22	23	24	25	26	27	28	29	30	31	32	33	34	35	36	37
Pergola width	1,200**	4,000														
Pergola height	500	3,000														

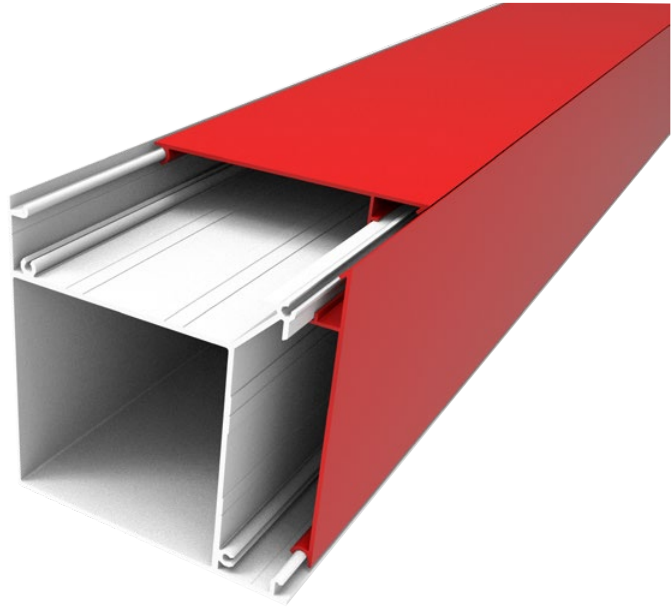
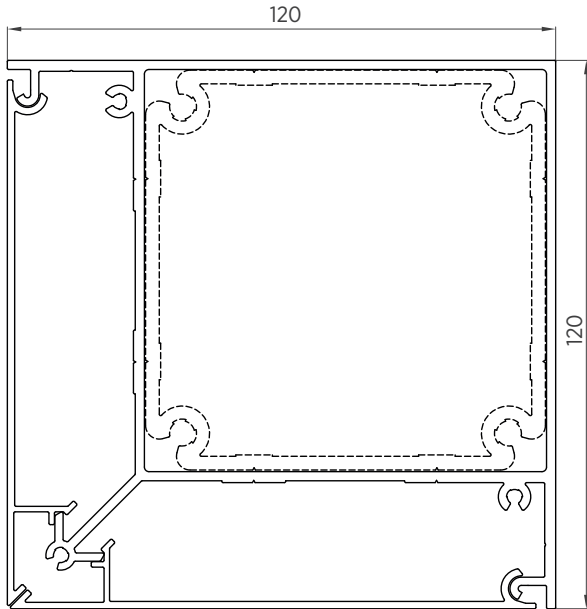
* The minimum depth of the ECHO pergola in the wall-mounted version is 1,430 mm; the maximum on 4 legs is 5,030 mm. Over this depth, 2 additional legs are required. The maximum depth on 6 legs is 7,010 mm.

** The pergola width ranges from a minimum of 1,200 mm to a maximum of 4,000 mm.

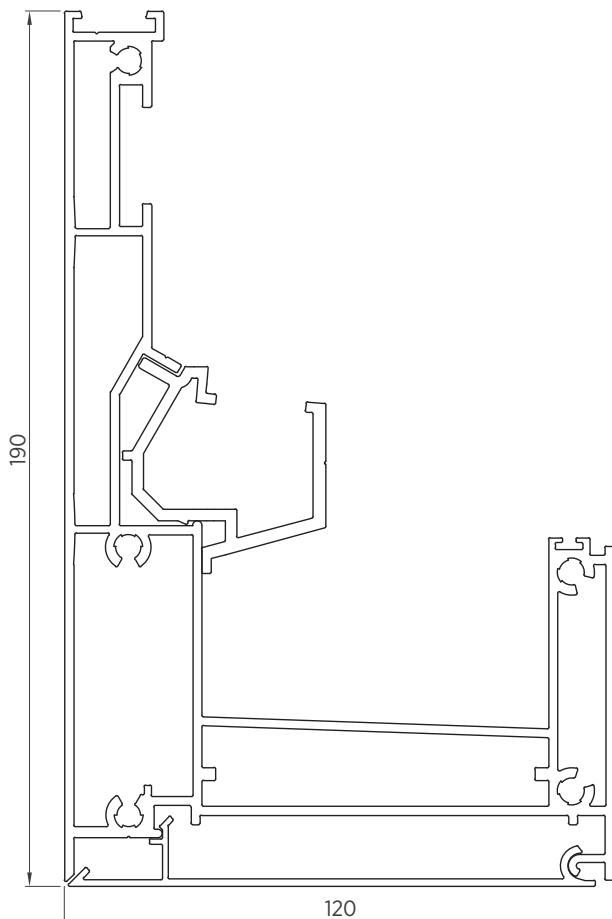


DESIGN - MAIN PROFILES OF THE ECHO PERGOLA

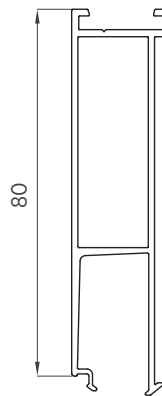
PERGOLA STRUCTURAL POST



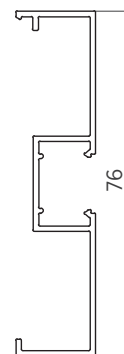
CROWN PROFILE



RAISED PERGOLA CROWN PROFILE

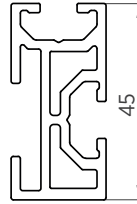


LED LIGHTING PROFILE

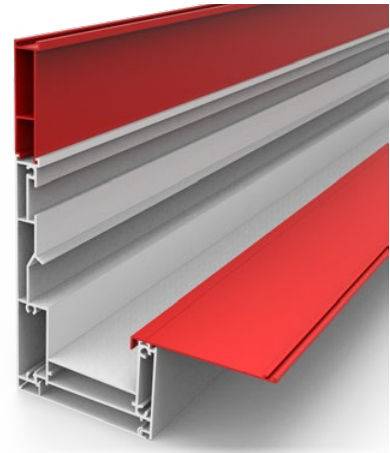
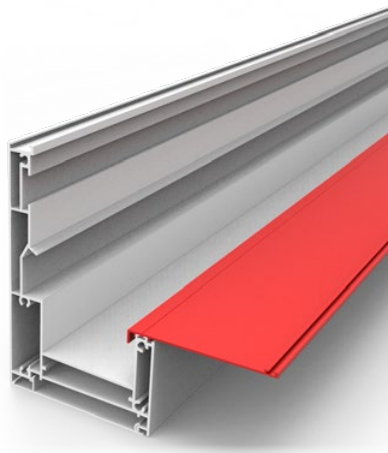
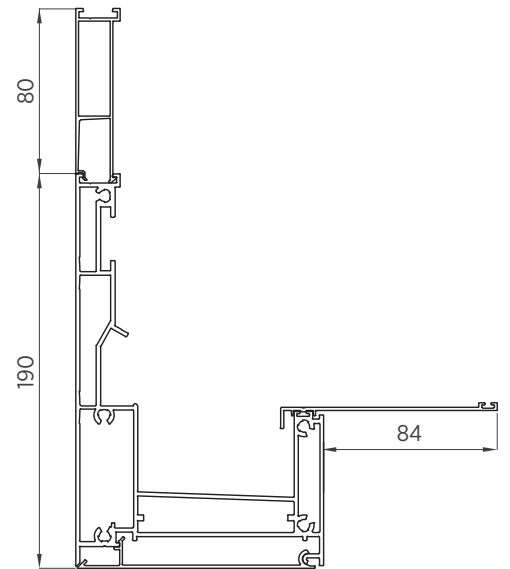
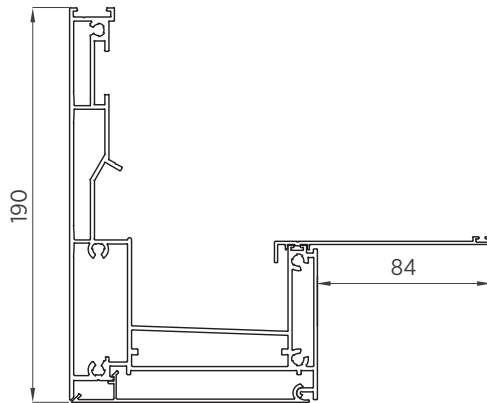
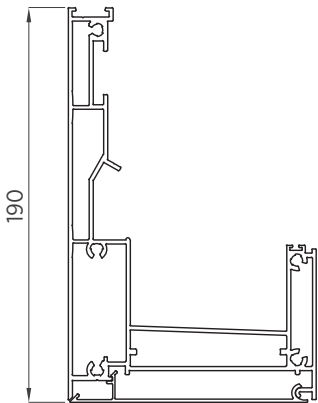




PROFILE CONNECTING THE DRIVE TO THE PERGOLA LOUVRES



PERGOLA CROWN STRUCTURE TYPES



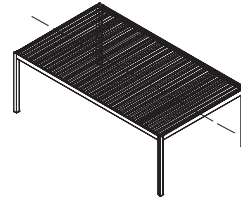
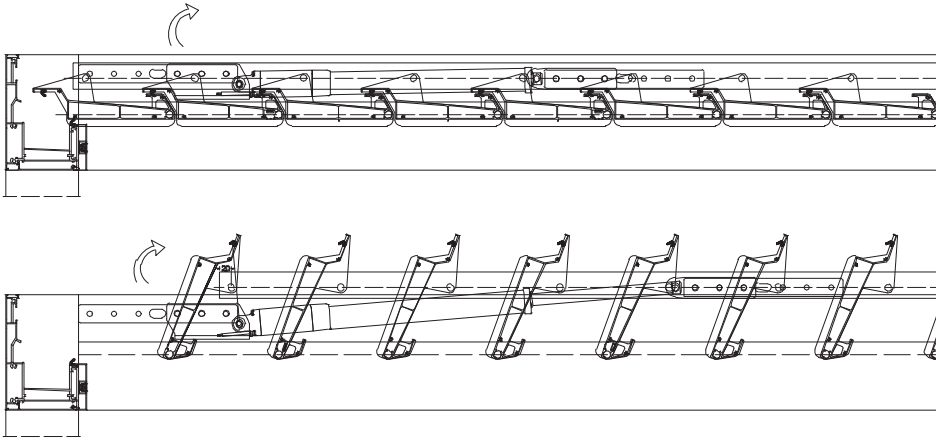
TYPE 1 – cross-section of the crown profile
basic version

TYPE 2 – cross-section of the crown profile
increased depth of the pergola

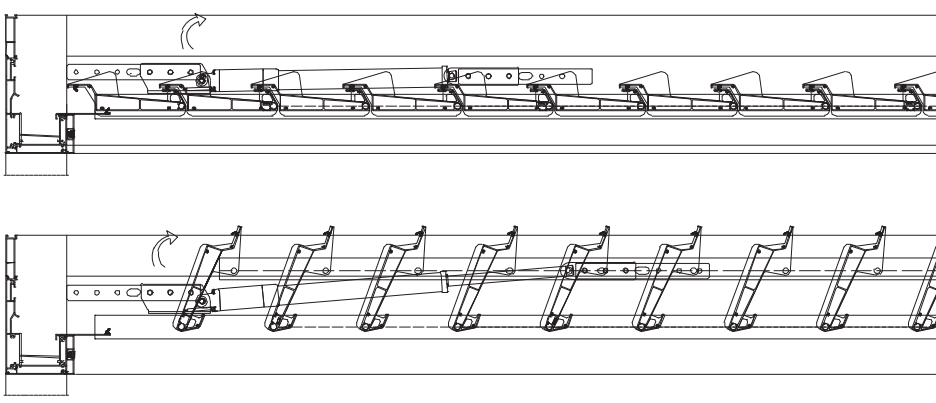
TYPE 3 – cross-section of the crown profile
widened and raised crown of the structure



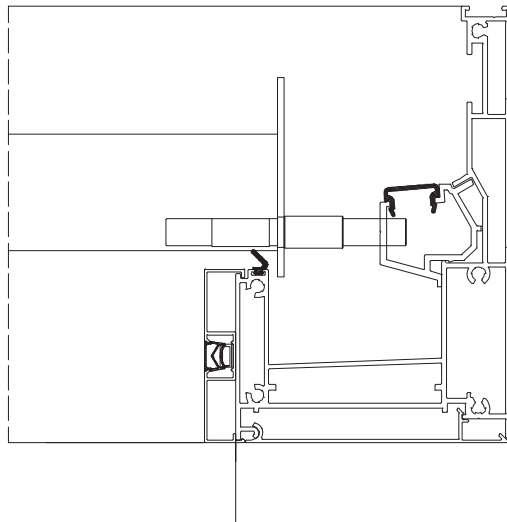
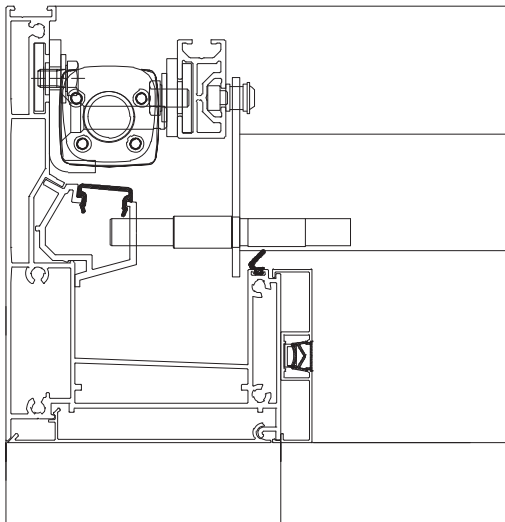
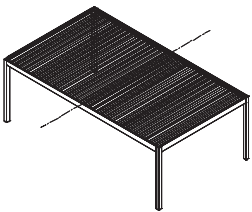
CROSS-SECTIONS OF THE STANDARD CROWN



CROSS-SECTIONS OF THE RAISED AND WIDENED CROWN



LONGITUDINAL CROSS-SECTION OF THE CROWN AND LOUVRES

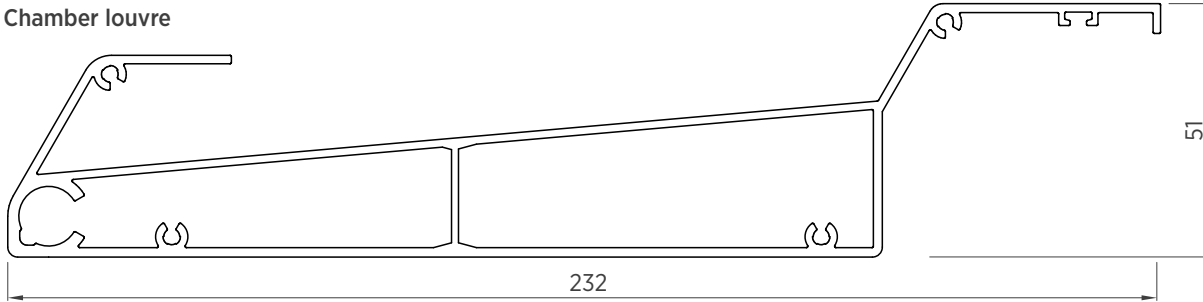




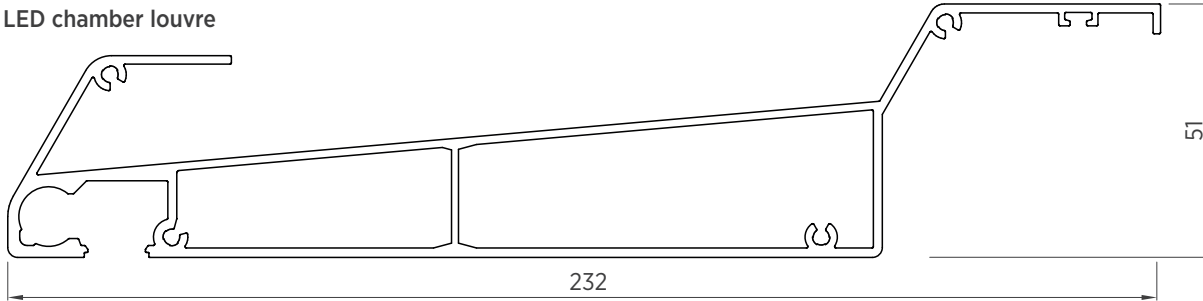
LOUVRES

LOUVRES - CROSS-SECTIONS

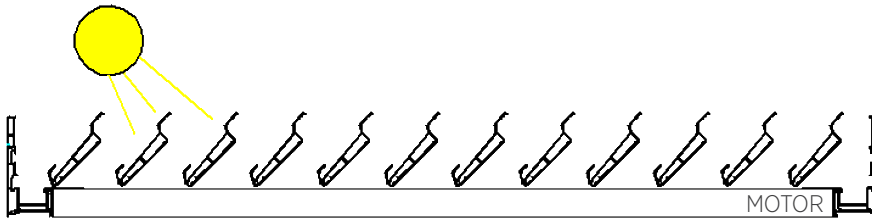
Chamber louvre



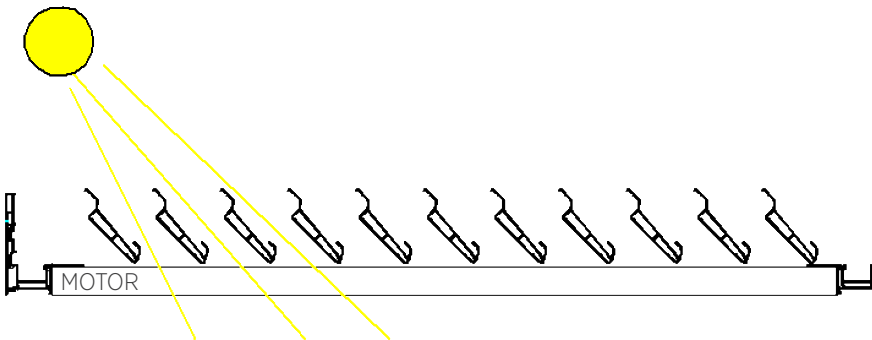
LED chamber louvre



OPENING METHODS



Forward

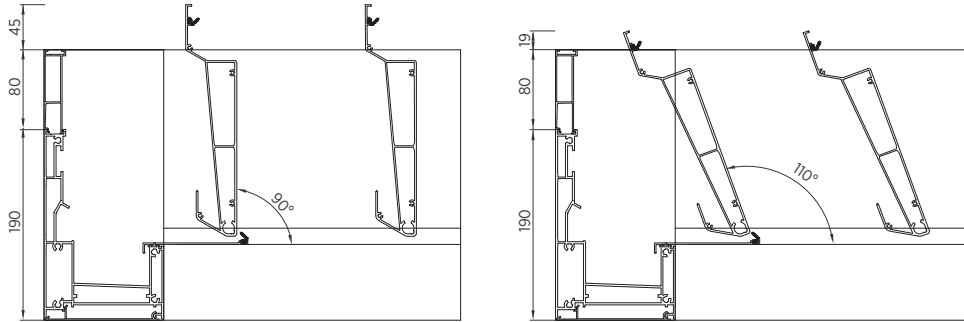


Backward

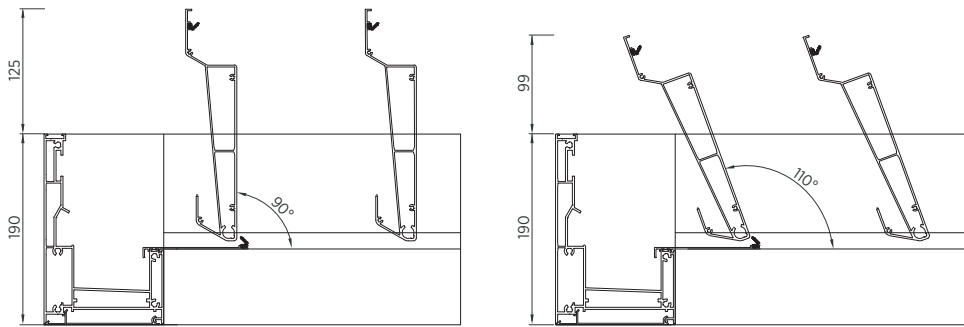


LOUVRE ROTATION - OPENING DIRECTION

One of two louvre rotation directions can be selected. The selected direction affects the ability to regulate the amount of light, shade, and airflow between the pergola louvres (see diagrams showing forward or backward louvre rotation).



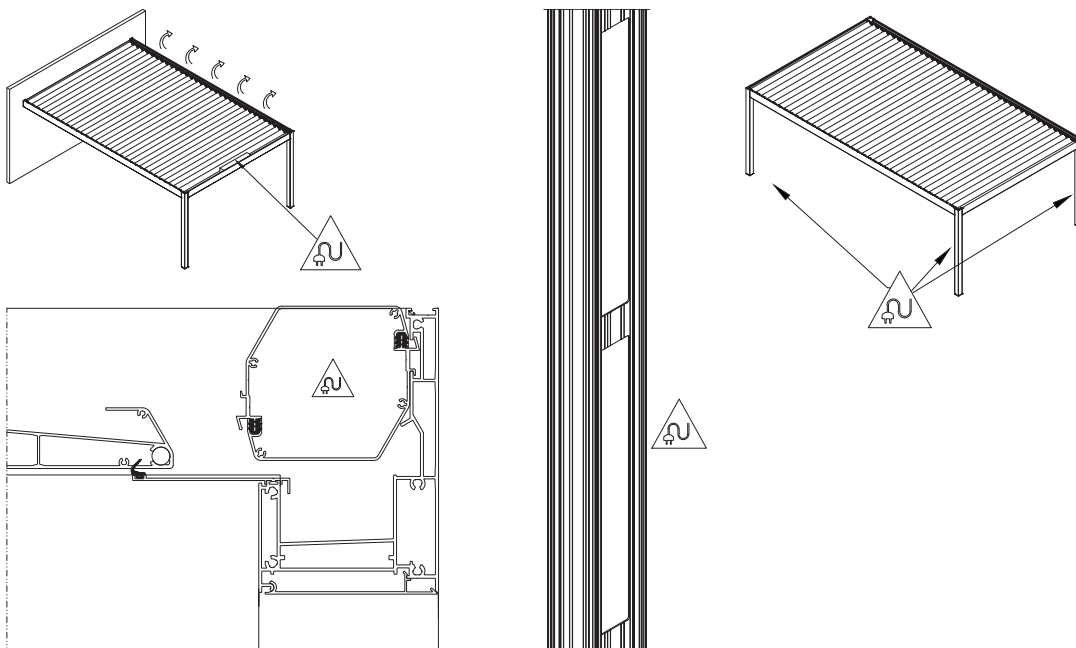
Louvre height when opened to an angle of 90° and 110° in the raised crown version 80 [mm].



Louvre height when opened to an angle of 90° and 110° in the standard crown version.

ELECTRICAL INSTALLATION IN THE ECHO PERGOLA

In the free-standing ECHO pergola, the electrical installation can be located in one of the selected posts or in the crown, whereas in the wall-mounted version the electrical installation is always located in the pergola crown.



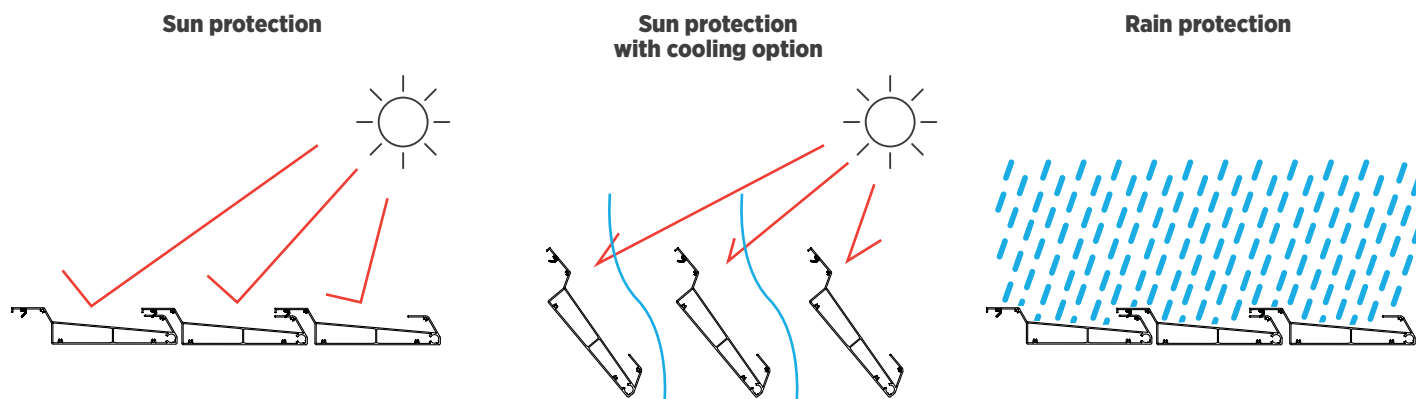
Electrical installation in the pergola crown

Electrical installation in the pergola post



FUNCTIONS OF THE BIOCLIMATIC PERGOLA

A bioclimatic pergola is a shading element and is designed to provide protection against the sun. Tilting the louvres enables ventilation of the area under the roof while maintaining the shading function. The pergola also serves as protection against rain.



ECHO PERGOLA AND WATER, WIND, AND SNOW

WATER

The ECHO pergola has an open external structure and cannot be compared to a closed, insulated, and fully water- and wind-resistant winter garden. It is a bioclimatic pergola and its roof is made of movable louvres. Due to the movable roof structure, the pergola does not have to be fully watertight in all conditions, even though each movable roof louvre is fitted with a sealing element along its entire length. During rainfall, water droplets fall into the gutter profile equipped with a seal; however, individual droplets may still pass under the pergola (this always depends on the current rainfall intensity and weather conditions). Therefore, furniture, flooring, equipment, etc. must be intended for outdoor use and resistant to weather conditions.

The pergola is capable of draining water corresponding to rainfall intensity of:

- 50 l/m²/h for an area up to 24 m² and a side length up to 7 m, with two water outlets,
- 70 l/m²/h for an area above 24 m² and a side length up to 7 m, with three water outlets.

Water drainage is integrated into the pergola posts.

The above values apply provided the pergola is free-standing. If the pergola is connected to another structure, it must be taken into account that the amount of water to be drained may differ, and water from other roof coverings must not be directed onto the pergola roof.

Due to temperature differences above and below the pergola in cool weather, condensation may occur on the underside and within the pergola structure.

WIND

When closed, the pergola is resistant to wind speeds of up to 185 km/h, and with open louvres it is resistant to wind speeds of up to 130 km/h. If the pergola is equipped with a zip screen shade, the screen must be raised. A wind sensor, with which the pergola is equipped, must be installed.

SNOW

For the proper operation of the ECHO pergola and to meet product safety requirements, the louvres must be opened to the 90° position during snowfall.

In case of icing, moving the louvres is prohibited, as this may lead to product damage.

The ECHO pergola is equipped with a controller with a built-in temperature sensor, factory-set so that at 5°C the louvres will be opened slightly. The louvres then remain 90% closed.

PLEASE NOTE:

during the first start-up of the pergola after a power failure, the overload sensor does not operate, and the motor configures the end positions for opening and closing the louvres.

If snow cover is present, starting the motor may lead to damage to the drive and the louvres.



ACCESSORIES

LOUVRE DRIVE

As standard, the ECHO pergola is equipped with a SOMFY drive unit that opens and closes the louvres located in the crown. The drive can be controlled by the Situio 5 VAR A/M 5-channel remote control in the io version or the Ysia Patio 16-channel remote control in the io version. The drive unit can be positioned on the left or right side of the pergola (see Configurator).



5-channel remote
Situio 5 VAR A/M io

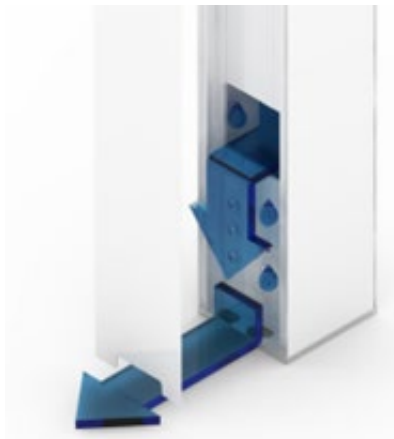


16-channel remote
Ysia Patio io



WATER DRAINAGE

Each ECHO pergola is equipped with an innovative rainwater drainage system for the entire roof area. The louvres have been designed so that when opening, water remains on the louvre and flows directly into the gutter instead of entering the interior of the pergola. Water is drained through the pergola posts in two selectable options: round or square.



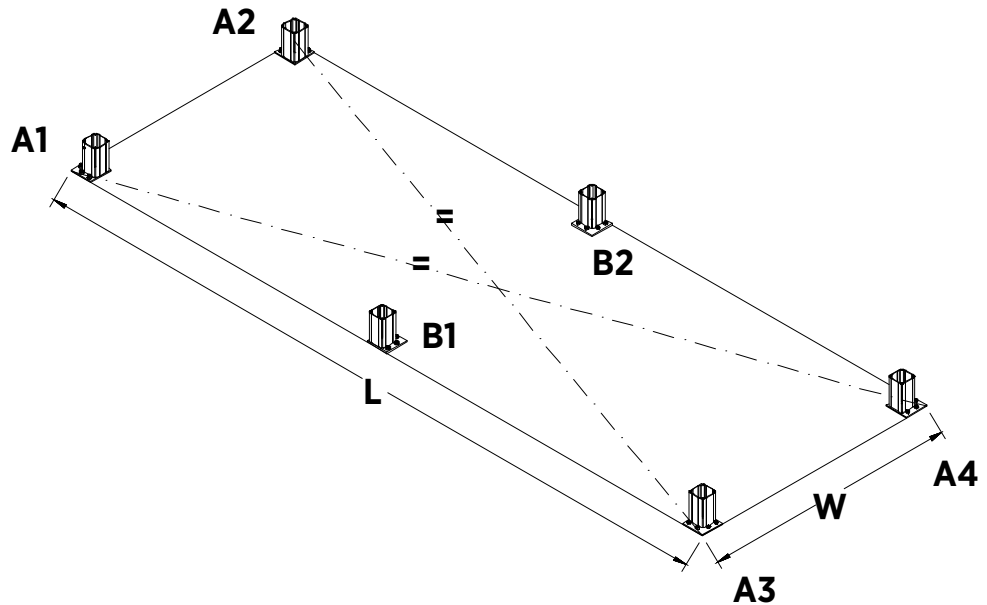
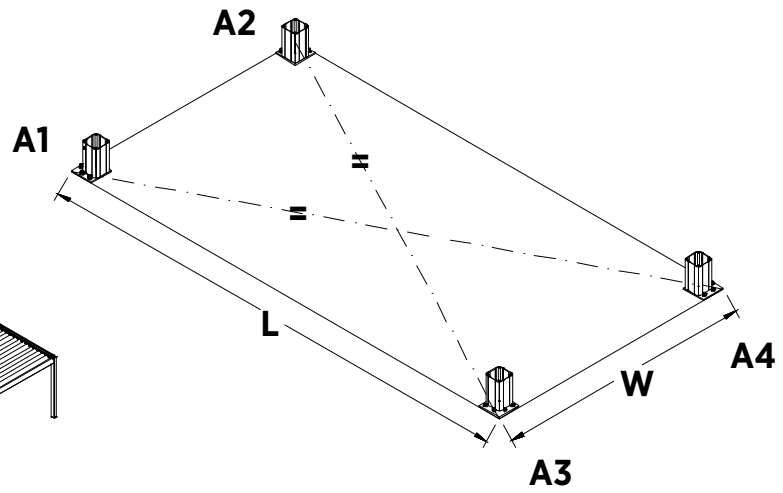
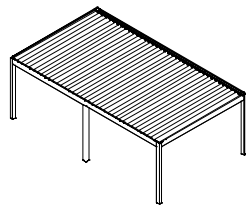
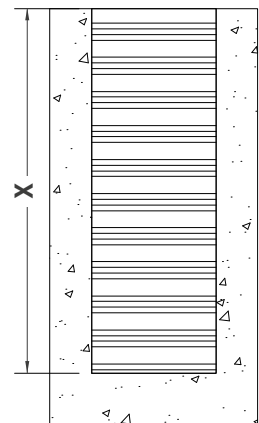
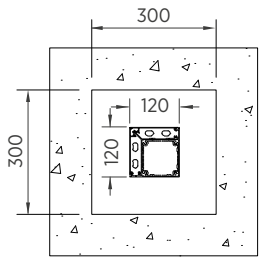
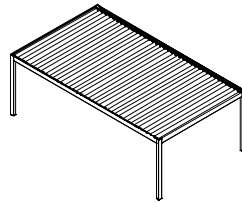
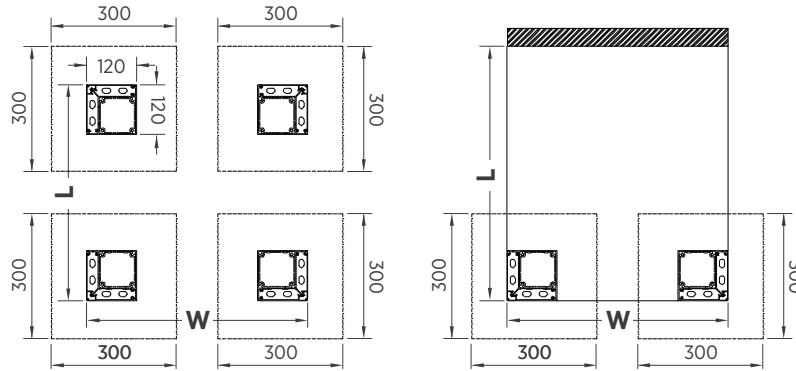
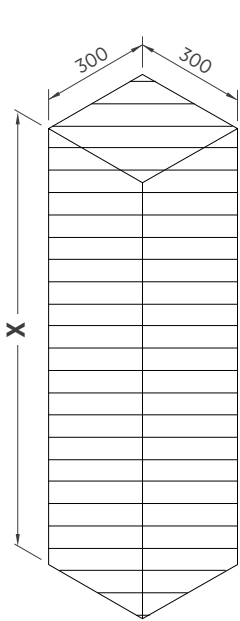
LIGHTING

The ECHO pergola can additionally be equipped with linear LED lighting in the louvres or LED lighting in the gutter.





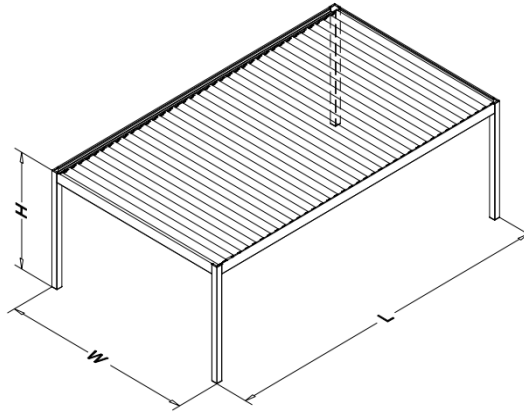
FOUNDATION AND CONCRETE BASE PLATE PREPARATION.





WEIGHT OF THE ECHO PERGOLA

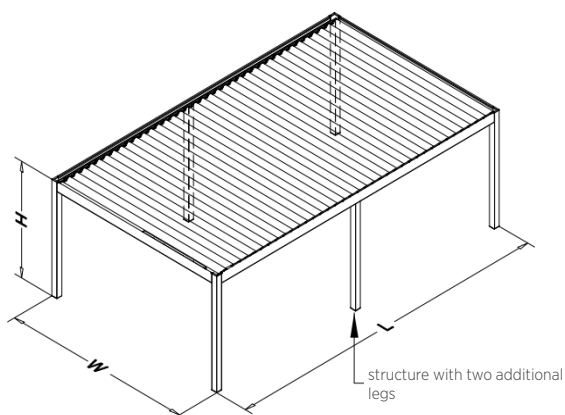
WEIGHT OF THE FREE-STANDING PERGOLA



Number of louvres		6	7	8	9	10	11	12	13	14	15	16	17	18	19	20	21	22	23	24	25	26
Pergola depth (length)		1,280	1,460	1,640	1,820	2,000	2,180	2,360	2,540	2,720	2,900	3,080	3,260	3,440	3,620	3,800	3,980	4,160	4,340	4,520	4,700	4,880
WIDTH	1,200	167	173	180	186	193	199	204	211	217	223	227	236	242	248	254	260	267	272	278	284	291
	1,300	170	176	184	190	197	203	209	216	223	229	233	243	249	255	262	268	275	281	287	293	300
	1,400	173	180	188	194	201	208	214	222	228	235	240	249	255	262	269	275	283	289	295	301	310
	1,500	176	183	191	198	206	212	219	227	234	240	246	256	262	269	277	283	291	298	304	310	319
	1,600	179	186	195	202	210	217	225	232	239	246	252	262	269	276	284	290	299	306	312	318	329
	1,700	182	190	199	206	215	222	230	237	245	252	259	269	276	283	292	298	307	315	321	327	338
	1,800	185	193	203	210	219	226	235	242	251	258	265	275	283	290	299	306	315	323	329	335	348
	1,900	188	197	206	214	223	231	240	247	256	264	271	282	289	297	307	313	323	332	338	344	357
	2,000	191	200	210	218	228	235	245	253	262	269	277	288	296	304	314	321	331	340	346	352	367
	2,100	194	201	214	222	232	240	250	258	267	275	284	295	303	311	322	328	339	349	355	361	376
	2,200	197	204	217	226	237	245	255	263	273	281	290	301	310	318	329	336	347	357	363	369	386
	2,300	200	207	221	230	241	249	260	268	279	287	296	308	317	325	337	344	355	366	372	378	395
	2,400	203	210	225	234	245	254	265	273	284	293	303	314	323	332	344	351	363	374	380	386	405
	2,500	206	213	228	238	250	258	270	278	290	298	309	321	330	339	352	359	371	383	389	395	414
	2,600	209	216	232	242	254	263	275	283	295	304	315	327	337	346	359	366	379	391	397	403	424
	2,700	212	219	236	246	259	268	280	289	301	310	322	334	344	353	367	374	387	400	406	412	433
	2,800	215	222	240	250	263	272	285	294	307	316	328	340	351	360	374	382	395	408	414	420	443
	2,900	218	225	243	254	267	277	290	299	312	322	334	347	357	367	382	389	403	417	423	429	452
	3,000	221	228	247	258	272	281	295	304	318	327	340	353	364	374	389	397	411	425	431	437	462
	3,100	224	231	251	262	276	286	300	309	323	333	347	360	371	381	397	404	419	434	440	446	471
3,200	227	234	254	266	281	291	305	314	329	339	353	366	378	388	404	412	427	442	448	454	481	
3,300	230	237	258	270	285	295	310	319	335	345	359	373	385	395	412	420	435	451	457	463	490	
3,400	233	240	262	274	289	300	315	325	340	351	366	379	391	402	419	427	443	459	465	471	500	
3,500	236	243	265	278	294	304	320	330	346	356	372	386	398	409	427	435	451	468	474	480	509	
3,600	239	246	269	282	298	309	326	335	351	362	378	392	405	416	434	442	459	476	482	488	519	
3,700	242	249	273	286	303	314	331	340	357	368	385	399	412	423	442	450	467	485	491	497	528	
3,800	245	259	277	290	307	318	336	345	363	374	391	405	419	430	449	458	475	493	499	505	538	
3,900	248	264	280	294	311	324	341	350	368	380	397	412	426	437	457	465	483	502	508	514	543	
4,000	255	270	284	300	315	329	344	356	371	386	401	416	432	448	461	476	491	509	521	528	552	



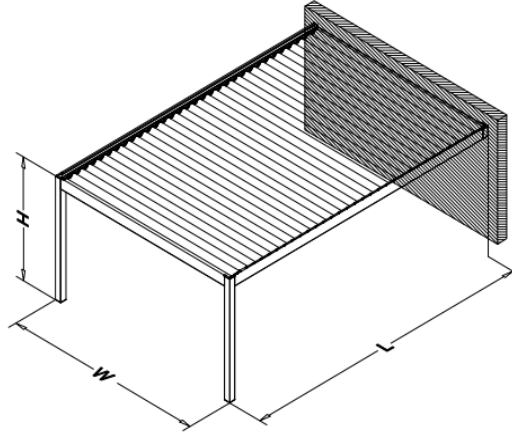
WEIGHT OF THE FREE-STANDING PERGOLA



Number of louvres		27	28	29	30	31	32	33	34	35	36	37
Pergola depth (length)		5,060	5,240	5,420	5,600	5,780	5,960	6,140	6,320	6,500	6,680	6,860
WIDTH	1,200	323	330	336	342	348	354	360	366	373	379	385
	1,300	333	340	346	352	359	365	372	378	385	391	398
	1,400	343	350	356	363	370	377	383	390	397	403	411
	1,500	352	360	367	374	381	388	395	402	409	416	423
	1,600	362	370	377	384	392	399	406	414	421	428	436
	1,700	371	380	387	395	403	411	418	425	434	440	449
	1,800	381	390	397	405	413	422	429	437	446	452	462
	1,900	391	400	408	416	424	433	441	449	458	464	475
	2,000	400	410	418	427	435	445	452	461	470	477	487
	2,100	410	420	428	437	446	456	464	473	482	489	500
	2,200	419	430	439	448	457	467	475	484	495	501	513
	2,300	429	440	449	458	468	478	487	496	507	513	526
	2,400	439	450	459	469	479	490	498	508	519	525	539
	2,500	448	460	469	480	490	501	510	520	531	538	551
	2,600	458	470	480	490	501	512	521	532	543	550	564
	2,700	467	480	490	501	512	524	533	543	556	562	577
	2,800	477	490	500	511	522	535	544	555	568	574	590
	2,900	487	500	511	522	533	546	556	567	580	586	603
	3,000	496	510	521	533	544	557	567	579	592	599	615
	3,100	506	520	531	543	555	569	579	591	604	611	628
3,200	515	530	542	554	566	580	590	602	617	623	641	
3,300	525	540	552	564	577	591	602	614	629	635	654	
3,400	535	550	562	575	588	603	613	626	641	647	667	
3,500	544	560	572	586	599	614	625	638	653	660	679	
3,600	554	570	583	596	610	625	636	650	665	672	692	
3,700	563	580	593	607	620	637	648	661	678	684	705	
3,800	573	590	603	617	631	648	659	673	690	696	718	
3,900	583	600	614	628	642	659	671	685	702	708	731	
4,000	592	610	624	639	653	670	682	697	714	721	743	



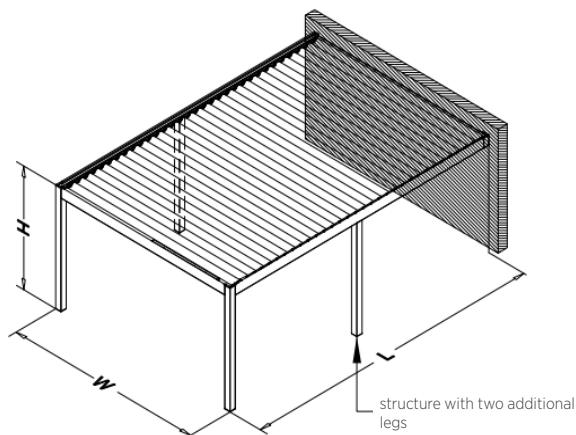
WEIGHT OF THE WALL-MOUNTED PERGOLA



Number of louvres	6	7	8	9	10	11	12	13	14	15	16	17	18	19	20	21	22	23	24	25	26	
	1,430	1,610	1,790	1,970	2,150	2,330	2,510	2,690	2,870	3,050	3,230	3,410	3,590	3,770	3,950	4,130	4,310	4,490	4,670	4,850	5,030	
WIDTH	1,200	150	156	163	169	176	182	187	194	200	206	210	219	225	231	237	243	250	255	261	267	274
	1,300	153	159	167	173	180	186	192	199	206	212	216	226	232	238	245	251	258	264	270	276	283
	1,400	156	163	171	177	184	191	197	205	211	218	223	232	238	245	252	258	266	272	278	284	293
	1,500	159	166	174	181	189	195	202	210	217	223	229	239	245	252	260	266	274	281	287	293	302
	1,600	162	169	178	185	193	200	208	215	222	229	235	245	252	259	267	273	282	289	295	301	312
	1,700	165	173	182	189	198	205	213	220	228	235	242	252	259	266	275	281	290	298	304	310	321
	1,800	168	176	186	193	202	209	218	225	234	241	248	258	266	273	282	289	298	306	312	318	331
	1,900	171	180	189	197	206	214	223	230	239	247	254	265	272	280	290	296	306	315	321	327	340
	2,000	174	183	193	201	211	218	228	236	245	252	260	271	279	287	297	304	314	323	329	335	350
	2,100	177	184	197	205	215	223	233	241	250	258	267	278	286	294	305	311	322	332	338	344	359
	2,200	180	187	200	209	220	228	238	246	256	264	273	284	293	301	312	319	330	340	346	352	369
	2,300	183	190	204	213	224	232	243	251	262	270	279	291	300	308	320	327	338	349	355	361	378
	2,400	186	193	208	217	228	237	248	256	267	276	286	297	306	315	327	334	346	357	363	369	388
	2,500	189	196	211	221	233	241	253	261	273	281	292	304	313	322	335	342	354	366	372	378	397
	2,600	192	199	215	225	237	246	258	266	278	287	298	310	320	329	342	349	362	374	380	386	407
	2,700	195	202	219	229	242	251	263	272	284	293	305	317	327	336	350	357	370	383	389	395	416
	2,800	198	205	223	233	246	255	268	277	290	299	311	323	334	343	357	365	378	391	397	403	426
	2,900	201	208	226	237	250	260	273	282	295	305	317	330	340	350	365	372	386	400	406	412	435
	3,000	204	211	230	241	255	264	278	287	301	310	323	336	347	357	372	380	394	408	414	420	445
	3,100	207	214	234	245	259	269	283	292	306	316	330	343	354	364	380	387	402	417	423	429	454
3,200	210	217	237	249	264	274	288	297	312	322	336	349	361	371	387	395	410	425	431	437	464	
3,300	213	220	241	253	268	278	293	302	318	328	342	356	368	378	395	403	418	434	440	446	473	
3,400	216	223	245	257	272	283	298	308	323	334	349	362	374	385	402	410	426	442	448	454	483	
3,500	219	226	248	261	277	287	303	313	329	339	355	369	381	392	410	418	434	451	457	463	492	
3,600	222	229	252	265	281	292	309	318	334	345	361	375	388	399	417	425	442	459	465	471	502	
3,700	225	232	256	269	286	297	314	323	340	351	368	382	395	406	425	433	450	468	474	480	511	
3,800	228	242	260	273	290	301	319	328	346	357	374	388	402	413	432	441	458	476	482	488	521	
3,900	231	247	263	277	294	307	324	333	351	363	380	395	409	420	440	448	466	485	491	497	526	
4,000	238	253	267	283	298	312	327	339	354	369	384	399	415	431	444	459	474	492	504	511	535	



WEIGHT OF THE WALL-MOUNTED PERGOLA



Number of louvres	27	28	29	30	31	32	33	34	35	36	37	
	Pergola depth (length)	5,210	5,390	5,570	5,750	5,930	6,110	6,290	6,470	6,650	6,830	7,010
WIDTH	1,200	306	313	319	325	331	337	343	349	356	362	368
	1,300	316	323	329	335	342	348	355	361	368	374	381
	1,400	326	333	339	346	353	360	366	373	380	386	394
	1,500	335	343	350	357	364	371	378	385	392	399	406
	1,600	345	353	360	367	375	382	389	397	404	411	419
	1,700	354	363	370	378	386	394	401	408	417	423	432
	1,800	364	373	380	388	396	405	412	420	429	435	445
	1,900	374	383	391	399	407	416	424	432	441	447	458
	2,000	383	393	401	410	418	428	435	444	453	460	470
	2,100	393	403	411	420	429	439	447	456	465	472	483
	2,200	402	413	422	431	440	450	458	467	478	484	496
	2,300	412	423	432	441	451	461	470	479	490	496	509
	2,400	422	433	442	452	462	473	481	491	502	508	522
	2,500	431	443	452	463	473	484	493	503	514	521	534
	2,600	441	453	463	473	484	495	504	515	526	533	547
	2,700	450	463	473	484	495	507	516	526	539	545	560
	2,800	460	473	483	494	505	518	527	538	551	557	573
	2,900	470	483	494	505	516	529	539	550	563	569	586
	3,000	479	493	504	516	527	540	550	562	575	582	598
	3,100	489	503	514	526	538	552	562	574	587	594	611
3,200	498	513	525	537	549	563	573	585	600	606	624	
3,300	508	523	535	547	560	574	585	597	612	618	637	
3,400	518	533	545	558	571	586	596	609	624	630	650	
3,500	527	543	555	569	582	597	608	621	636	643	662	
3,600	537	553	566	579	593	608	619	633	648	655	675	
3,700	546	563	576	590	603	620	631	644	661	667	688	
3,800	556	573	586	600	614	631	642	656	673	679	701	
3,900	566	583	597	611	625	642	654	668	685	691	714	
4,000	575	593	607	622	636	653	665	680	697	704	726	



AVAILABLE COLOURS:

STANDARD COLOURS (MAT STRUCTURE)

Modern Black (RAL 9005)	Modern Pearl (RAL 1013)	Modern White (RAL 9010)	RAL 3000	RAL 5003	RAL 5004
RAL 6005	RAL 6009	RAL 6012	RAL 7006	RAL 7021	RAL 7024
RAL 7026	RAL 7035	RAL 7037	RAL 7043	RAL 7047	RAL 8011
RAL 8014	RAL 9001	RAL 9016	Cast Iron	Quartz	Other colours RAL

HOME INCLUSIVE 2.0 COLOURS

HI SMOKE GREEN	HI WILLOW GREEN	HI FERN GREEN	HI DEEP GREEN	HI COMFORT GREY	HI WARM STONE
HI QUARTZ GREY	HI BROWN STONE	HI TRUE BLUE	HI MARINA HORIZON	HI ANTHRACITE	HI MODERN GRAPHITE
HI MOODY CORAL	HI FLAME RED	HI MODERN MAROON	HI DEEP BROWN	HI COSMIC BLACK	HI FOGGY QUARTZ

DECOR COLOURS

Golden Oak	Walnut	Mahogany	Winchester	Wenge (Dark Oak)	Anteak
Calvados	Ebony	Titanium	Pinia Oak	Concrete	Oak Toffee



ZIP SCREEN SHADES



ZIP SCREEN

– is a modern sun shade system that provides protection against solar radiation and ensures an appropriate level of shading. Screen-type sunshades are highly functional solutions: they often replace mosquito screens and, when a blackout type of fabric is used, provide effective darkening. A wide range of colours available for structural elements and fabrics allows the Screen system to be perfectly matched to both modern and traditional buildings.

THE STRUCTURAL ELEMENTS OF THE SCREEN SHADES

are made of high-quality aluminium profiles that are powder-coated. The use of aluminium ensures long-lasting durability and performance of the structure. Tracks and cassettes are available in a wide selection of RAL mat structure colours matched to the pergola structure.

FABRICS

– a selection of high-quality fabrics includes both translucent and opaque materials which, through reflection and absorption of sunlight, provide light reduction of up to 100% (depending on the selected fabric), while also reducing UV radiation.

ZIP SCREEN FABRIC MAINTENANCE

Thanks to their smooth surface, the materials are weather-resistant and easy to keep clean. Regular cleaning of the fabrics using a mild detergent/soap in spray form is recommended.

1. Spray the detergent/soap.
2. Leave it on the fabric (from 2 to 3 minutes, depending on the level of dirt).
3. Wipe in circular motions using a soft brush or cloth.
4. Rinse with water or wipe with a damp sponge.

DIMENSIONS

All ZIP SCREEN shades are made to measure to ensure the best fit:

- maximum dimensions: 4,850 x 3,000 mm
- minimum dimensions: 700 x 500 mm

STRUCTURE

- The system is available in an adaptive version (intended for use in existing buildings or those under construction).
- The system features a flat cassette shape ensuring aesthetic integration of the screen with any structure, e.g. a pergola.
- Special positioning of the fabric within two-part side tracks ensures proper tension and stable placement within the tracks, guaranteeing wind resistance.
- Thanks to the welded zip mechanism, the fabric can be directly integrated with the track, ensuring maximum sealing.
- The weighted bottom bar, which fully retracts into the cassette dimension, guarantees optimal light access to the interior when the screen is open.
- Minimum visible track profile width: 30 x 50 mm.

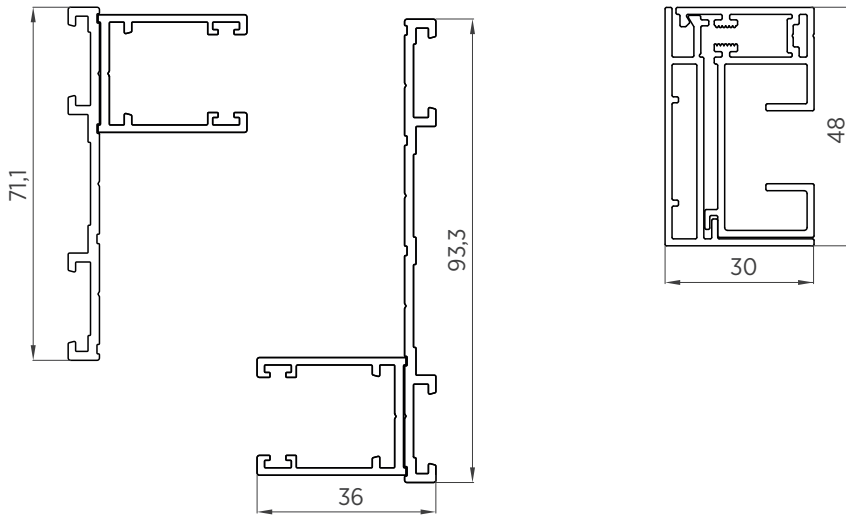
CONTROL

The zip screen sunshade system can be operated automatically: both via a remote control and a switch.

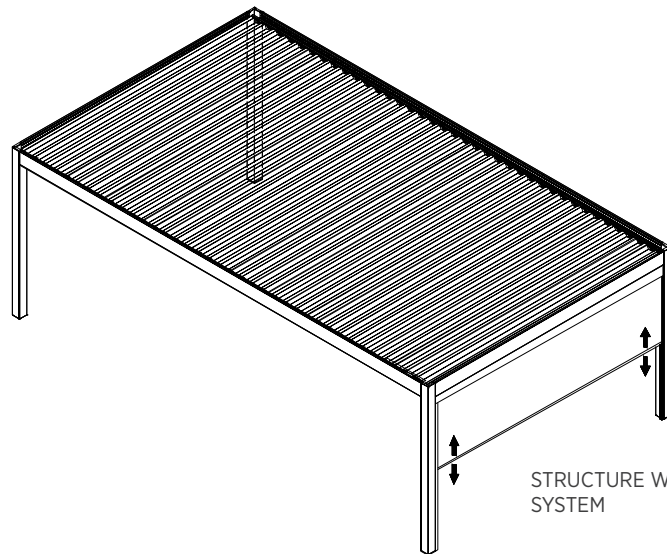
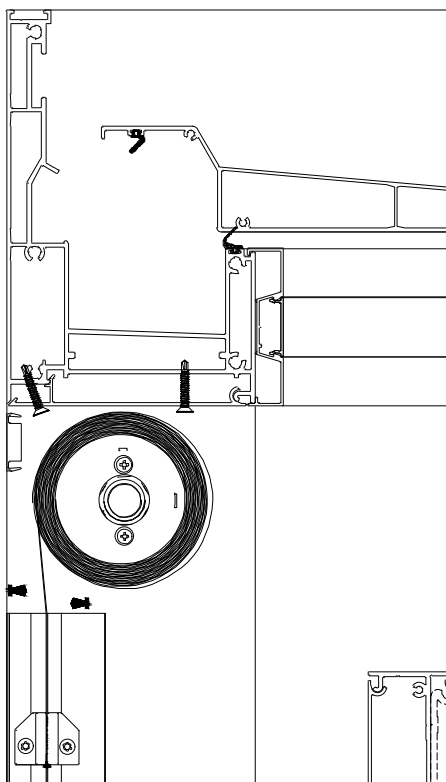
Integration with a smart building control system is possible. The ZIP SCREEN designed for the PERGOLA is equipped with a drive unit featuring an obstacle detection sensor.



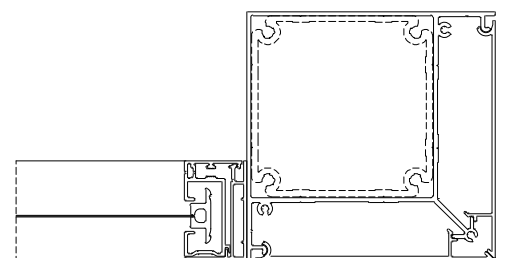
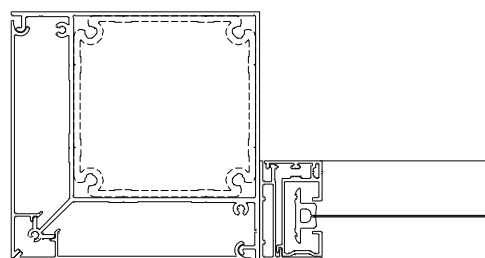
ZIP SCREEN - CROSS-SECTIONS



Horizontal and vertical cross-section of the ECHO pergola + Zip Screen



STRUCTURE WITH THE ZIP SYSTEM





ZIP SCREEN SHADES

Copaco fabric colours

serge 100 | SERGE 1%

A fabric collection made of glass fibre coated with PVC. Fabrics in this group feature a characteristic diagonal “serge” weave that guarantees exceptional dimensional stability. High fire resistance and very good technical parameters provide users with optical comfort indoors, protecting against excessive interior overheating.

technical parameters

application	internal and external
composition	42% glass fibre, 58% polyester
basis weight	638 g/m ²
thickness	0.78 mm
tensile strength	321 daN/50 mm warp, 277 daN/50 mm weft UNE EN ISO 1421
tear resistance	5.9 daN warp, 6.2 daN weft UNE EN ISO 4674-1

SC1/2002 (Aliplast index)
white | white



front



back

SC1/7007 (Aliplast index)
pearl grey | pearl grey

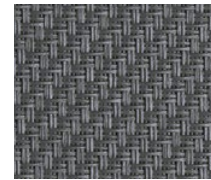


front



back

SC1/1001 (Aliplast index)
grey | grey

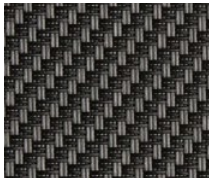


front

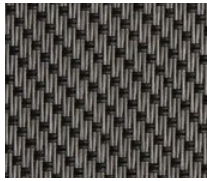


back

SC1/1010 (Aliplast index)
grey | dark graphite



front



back

SC1/10010 (Aliplast index)
dark graphite | dark graphite



front



back

serge 600 | BO Lunar

A fabric collection made of glass fibre coated with PVC. Fabrics in this group feature a characteristic diagonal “serge” weave that guarantees exceptional dimensional stability. High fire resistance and very good technical parameters provide users with optical comfort indoors, protecting against excessive interior overheating.

technical parameters

application	internal and external
composition	33% glass fibre, 47% polyester, 20% PVC laminate
basis weight	678 g/m ²
thickness	0.73 mm
tensile strength	260 daN/50 mm warp, 260 daN/50 mm weft ISO 1421
tear resistance	8.5 daN warp, 7.5 daN weft ISO 4674-1 m. 2

SCOL/002002 (Aliplast index)
white | white



SCOL/001002 (Aliplast index)
grey | white



SCOL/001001 (Aliplast index)
grey | grey



SCOL/001010 (Aliplast index)
grey | dark graphite



SCOL/010010 (Aliplast index)
dark graphite | dark graphite





serge 600 | SERGE 5%

A fabric collection made of glass fibre coated with PVC. Fabrics in this group feature a characteristic diagonal “serge” weave that guarantees exceptional dimensional stability. High fire resistance and very good technical parameters provide users with optical comfort indoors, protecting against excessive interior overheating.

technical parameters

application	internal and external
composition	42% glass fibre, 58% polyester
basis weight	525 g/m ²
thickness	0.74 mm
tensile strength	260 daN/50 mm warp, 260 daN/50 mm weft ISO 1421
tear resistance	8.5 daN warp, 7.5 daN weft ISO 4674-1 m. 2

SC5/2002 (Aliplast index)
white | white



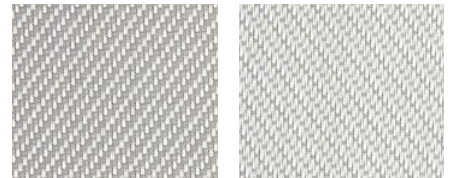
front back

SC5/8002 (Aliplast index)
linen | white



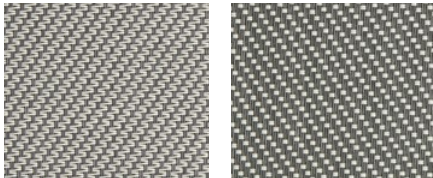
front back

SC5/2007 (Aliplast index)
white | pearl grey



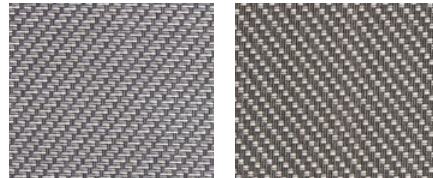
front back

SC5/1002 (Aliplast index)
grey | white



front back

SC5/1061 (Aliplast index)
grey white | pearl grey



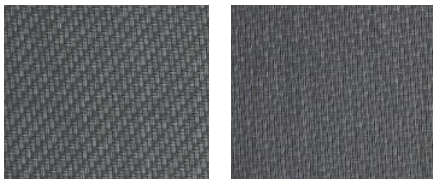
front back

SC5/7007 (Aliplast index)
pearl grey | pearl grey



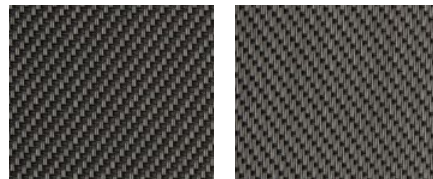
front back

SC5/1001 (Aliplast index)
grey | grey



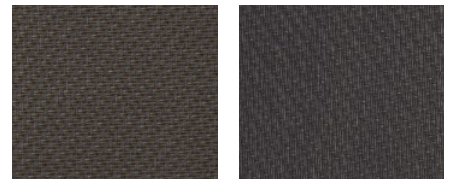
front back

SC5/1010 (Aliplast index)
grey | dark graphite



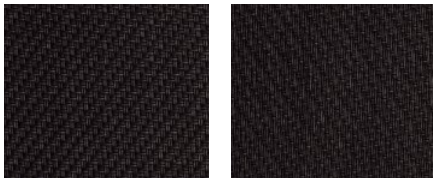
front back

SC5/10011 (Aliplast index)
dark graphite | brown



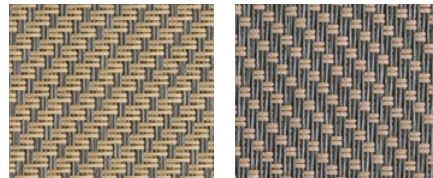
front back

SC5/10010 (Aliplast index)
dark graphite | dark graphite



front back

SC5/1003 (Aliplast index)
grey | sand



front back

SC5/8008 (Aliplast index)
linen | linen



front back



ZIP SCREEN SHADES

Serge Ferrari Group fabric colour palette

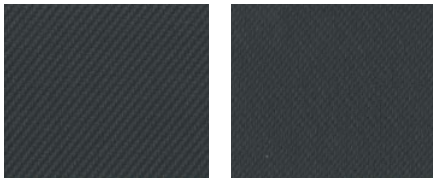
SOLTIS 7635 | fabric openness factor 5%

The Soltis composite fabric collection is a range of composite fabrics designed for sun protection applications both indoors and outdoors. Depending on the required level of outward visibility, the fabrics may be perforated, waterproof, or even opaque, providing protection against heat or adverse weather conditions, as well as complete opacity and privacy.

technical parameters

application	external
composition	42% glass fibre, 58% polyester
basis weight	515 g/m ²
thickness	0.73 mm
tensile strength	300/250 daN/5 cm warp, 674/562 lbs/2 inches weft ISO 1421
tear resistance	23/19 daN warp, 52/43 lbs weft DIN 53.363

SC5/52107 (Aliplast index)
black | black



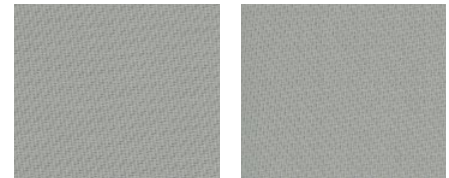
front back

SC5/52106 (Aliplast index)
grey | black



front back

SC5/52103 (Aliplast index)
pearl | pearl



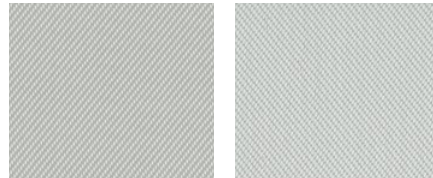
front back

SC5/52101 (Aliplast index)
white | white



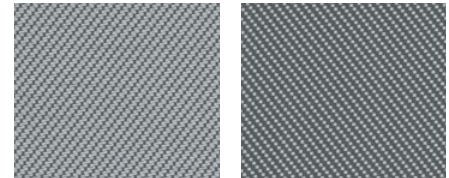
front back

SC5/52102 (Aliplast index)
white | pearl



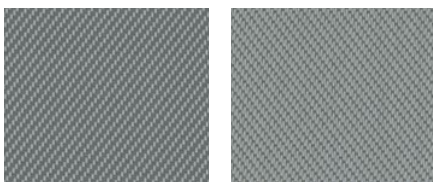
front back

SC5/52142 (Aliplast index)
grey | white



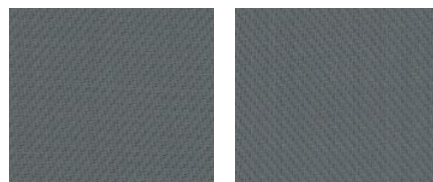
front back

SC5/52104 (Aliplast index)
pearl | grey



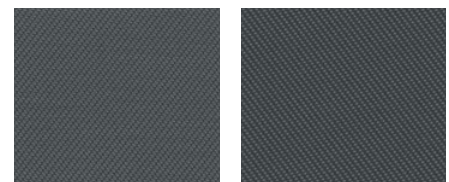
front back

SC5/52105 (Aliplast index)
grey | grey



front back

SC5/52108 (Aliplast index)
black | grey



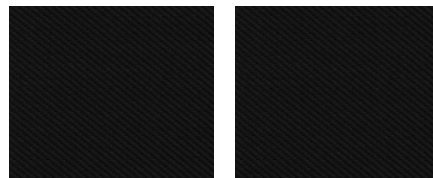
front back

SC5/52144 (Aliplast index)
anthracite | grey



front back

SC5/52143 (Aliplast index)
deep black | deep black



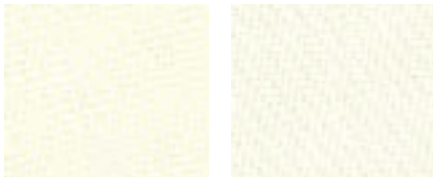
front back

SC5/52173 (Aliplast index)
linen | linen



front back

SC5/52174 (Aliplast index)
linen | white



front back



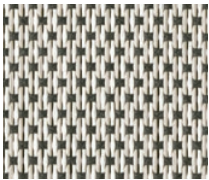
SOLTIS VEOZIP | fabric openness factor 5%

The Soltis composite fabric collection is a range of composite fabrics designed for sun protection applications both indoors and outdoors. Depending on the required level of outward visibility, the fabrics may be perforated, waterproof, or even opaque, providing protection against heat or adverse weather conditions, as well as complete opacity and privacy.

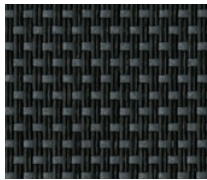
technical parameters

application	external
composition	42% glass fibre, 58% polyester
basis weight	580 g/m ²
thickness	0.90 mm
tensile strength	250/170 daN/ 5 cm warp, 560/382 lbs / 2 inches weft, PN-EN ISO 1421
tear resistance	25/25 daN warp, 56/56 lbs weft DIN 53.363

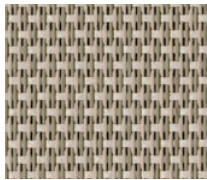
SC5/51185 (Aliplast index) edelweiss



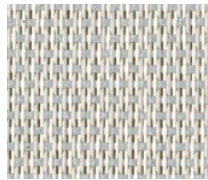
SC5/51194 (Aliplast index) shadow



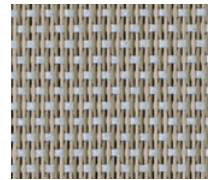
SC5/51187 (Aliplast index) natural



SC5/51184 (Aliplast index) frosty white



SC5/51186 (Aliplast index) cumulus



SC5/51198 (Aliplast index) black graphite



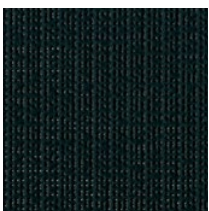
SOLTIS 92 | fabric openness factor 4%

The Soltis composite fabric collection is a range of composite fabrics designed for sun protection applications both indoors and outdoors. Depending on the required level of outward visibility, the fabrics may be perforated, waterproof, or even opaque, providing protection against heat or adverse weather conditions, as well as complete opacity and privacy.

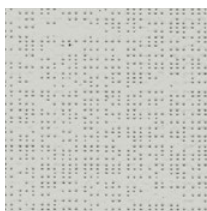
technical parameters

application	external
composition	42% glass fibre, 58% polyester
basis weight	4% - 420 g/m ²
thickness	at 4% - 0.45 mm
tensile strength	4% - 310/210 daN/5 cm warp, 697/472 lbs / 2 inches weft PN-EN ISO 1421
tear resistance	4% - 45/20 daN warp, 101/45 lbs weft DIN 53.363

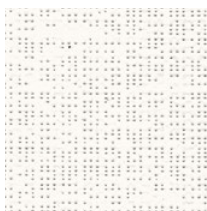
SC4/2047 (Aliplast index) anthracite



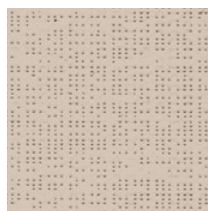
SC4/2171 (Aliplast index) grey stone



SC4/2044 (Aliplast index) white



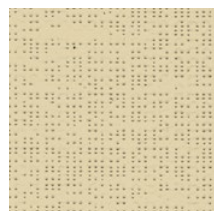
SC4/2135 (Aliplast index) sand beige



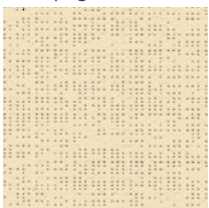
SC4/51176 (Aliplast index) deep black



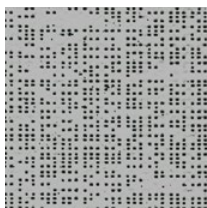
SC4/50265 (Aliplast index) hemp



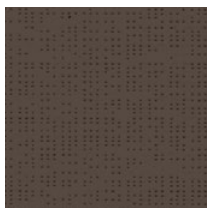
SC4/2175 (Aliplast index) champagne



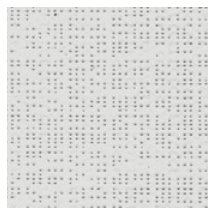
SC4/A2048 (Aliplast index) aluminium



SC4/2043 (Aliplast index) brown



SC4/50272 (Aliplast index) cloud





SLIDE GLASS



SLIDE GLASS

– is a sliding system for non-insulated glass enclosures, designed for vertical wall installations in pergolas. Glass sliding doors combined with the minimal visibility of aluminium profile edges subtly define the boundaries of the outdoor space, enhancing the sense of continuity between the interior and its surroundings.

SLIDE GLASS SYSTEM FEATURES

- Option to use 3-track or 4-track guide rails.
- The guide rail systems in which the panels move can be made of aluminium or stainless steel; they may be independent or mounted within the running tracks.
- The system is equipped with dedicated hardware: adjustable or non-adjustable carriages, glass-mounted pulls, and special hook locks.
- The structure can be secured with a built-in latch or a side lock (in the case of glazing on four sides, it is recommended that one section remains without side latches).

Infill: 10 mm thick tempered safety glass

Leaf dimensions:

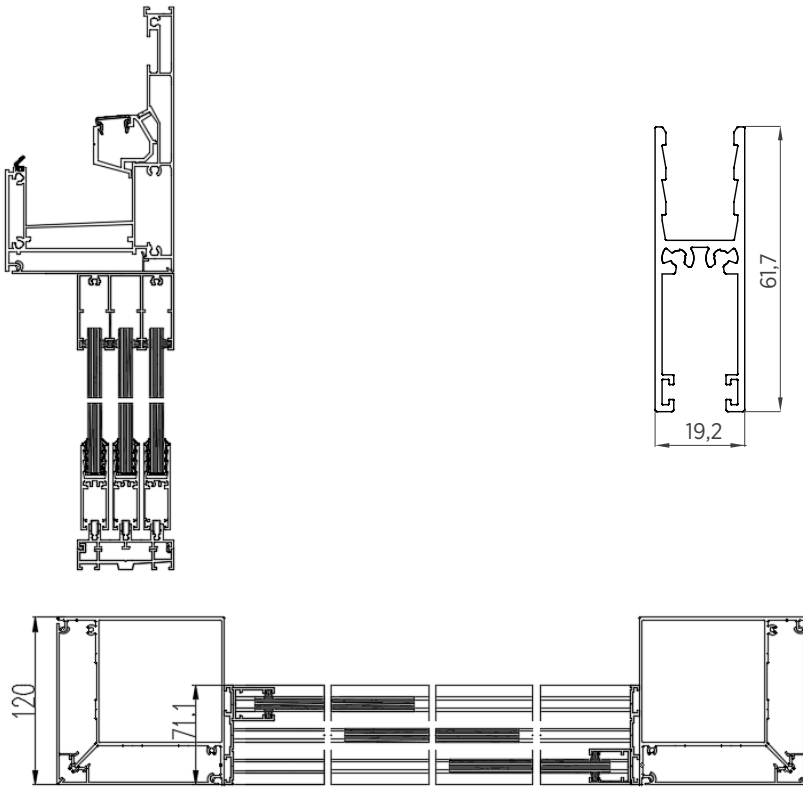
- width: 500-1,600 mm
- height up to 2,600 mm

Maximum weight of the leaf: 80 kg

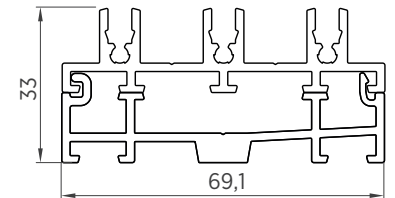
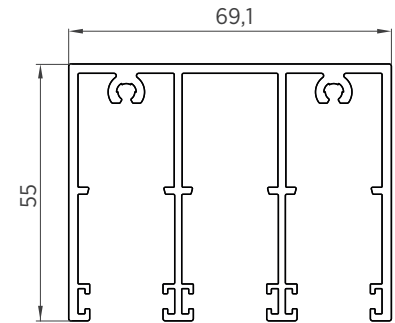


SLIDE GLASS CROSS-SECTIONS

3-TRACK VERSION

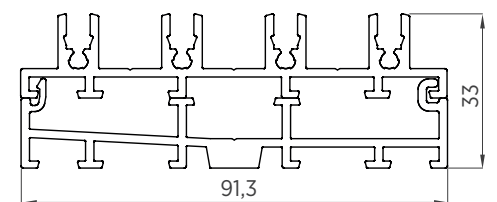
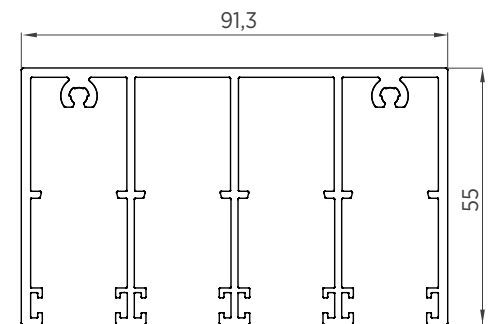
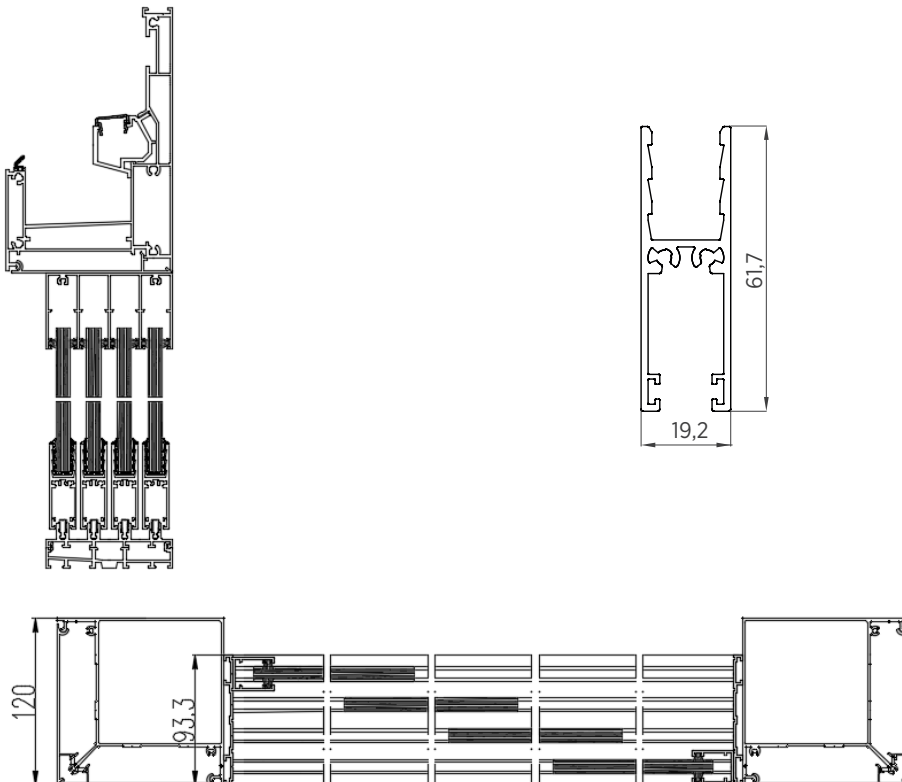


SLIDE GLASS - CROSS-SECTIONS



Horizontal and vertical cross-section of the ECHO pergola + Slide Glass (3-track version)

4-TRACK VERSION



Horizontal and vertical cross-section of the ECHO pergola + Slide Glass (4-track version)



PHOTO GALLERY



ECHO | RAL 7024 | ZIP SCREEN



ECHO | Modern Black | SLIDE GLASS | LED LIGHTING



ECHO | RAL 7024 | ZIP SCREEN

