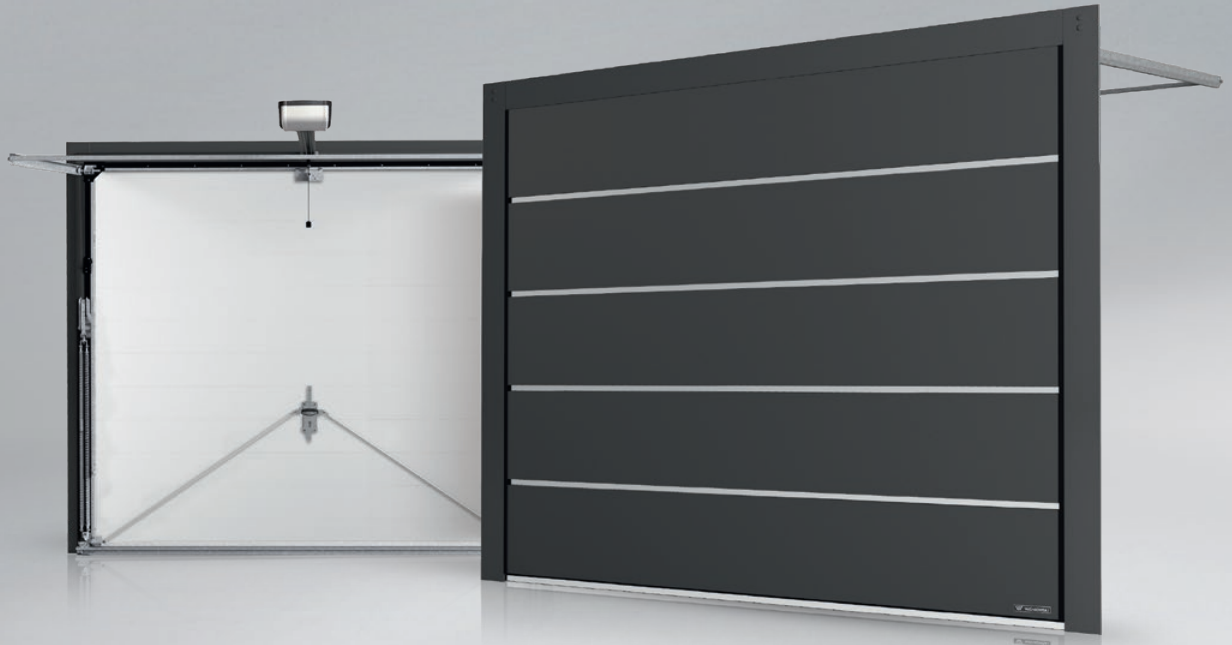


GARAGE DOORS



WIŚNIEWSKI

GATES | WINDOWS | DOORS | FENCES

UP AND OVER DOORS NOVUM | PROGRESS | KOMFORT | SELECT | CITY | CONNECT

Intended use: The up and over garage door is intended for use in private buildings and utility rooms. It includes an opening frame, leaf, and horizontal ceiling-mounted tracks.

SIMPLE INSTALLATION

Simple and easy installation of up and over doors both in the opening and behind the opening has been proven in various conditions, which is why this solution continues to be so popular.

SAFETY

The safety systems focus on minimizing all traces of risk. Regardless of the method of operation, WIŚNIEWSKI doors ensure comfort and safety. Our products are fully compliant with the PN-EN 13241 standard.

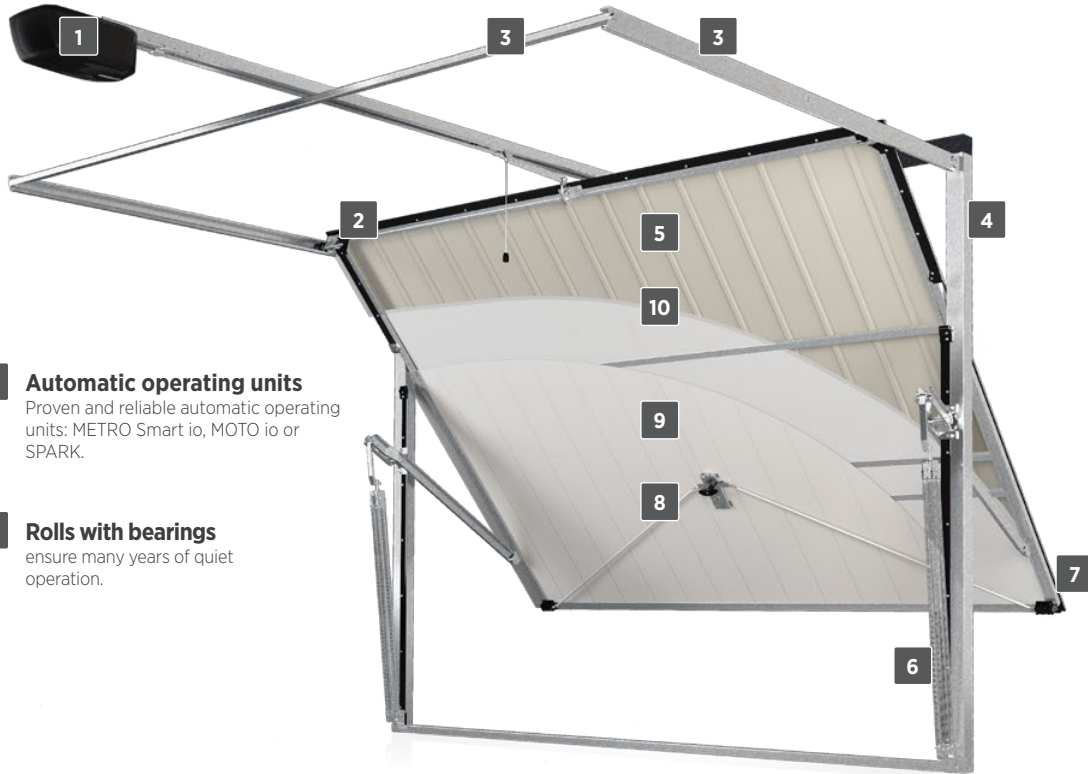
FUNCTIONALITY

With a simple and proven structure and a broad range of models and colours, WIŚNIEWSKI up and over garage doors are suitable for a wide scope of applications.



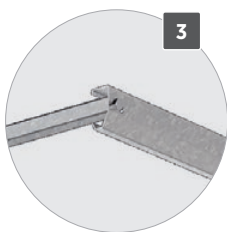
STRUCTURE

The up and over door is installed behind the opening or in the opening. The opening frame and the leaf frame are made of galvanized steel box sections without a thermal break. The opening frame components are joined with bolts. The leaf profiles are joined with special brackets. A pull spring system is fitted in the up and over doors, which assists in lifting and lowering the door leaf.



1 Automatic operating units
Proven and reliable automatic operating units: METRO Smart io, MOTO io or SPARK.

2 Rolls with bearings
ensure many years of quiet operation.



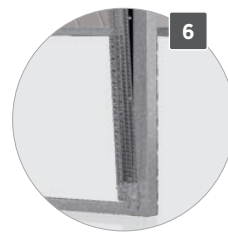
Galvanized horizontal tracks and crosspiece



Opening frame
made of galvanized box sections



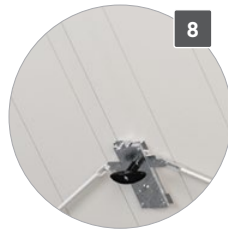
Door leaf
Made of galvanized sheet with polyester coating



Spring system responsible
for balancing out the door leaf weight



Bolted door leaf



Lock with a lock cylinder
bolting the door on both sides



PVC panel finish
white inside



Expanded polystyrene thermal insulation



DOOR LEAF

The WISNIEWSKI portfolio includes up and over garage doors with several finish and accessory options. The door is available with and without thermal insulation (infilled with a PVC panel from the inside). As standard, the door is supplied with a lock cylinder (three keys) and an installation kit. Each door is available in a manually operated and power operated version with MOTO io, METRO Smart io and SPARK drive.

NOVUM door – leaf lining made of galvanized steel sheet – T-10 trapezium – with a vertical infill orientation and polyester paint coating. The door is fitted with a crosspiece connecting the horizontal tracks. The NOVUM garage door is not available with a wicket door or thermal insulation.

PROGRESS door – leaf lining made of galvanized steel sheet – T-10 trapezium – with a vertical infill orientation and polyester paint coating. The door is fitted with a crosspiece connecting the horizontal tracks. The door is available with thermal insulation (the thermally insulated leaf is infilled with a PVC panel from the inside) and wicket door options.

KOMFORT door – (standard and special dimensions) – leaf lining made of galvanized steel sheet – T-10 trapezium – with a vertical leaf infill orientation and polyester paint coating. Depending on the dimensions and accessories, the KOMFORT garage doors feature a crosspiece connecting the horizontal tracks (see page 7). For leaf stabilization and comfort, the garage doors are equipped with side slides. The door is available with thermal insulation (the thermally insulated leaf is infilled with a PVC panel from the inside), wicket door, glazing (portholes) or with a ventilation grille. The KOMFORT door is also available with a custom infill option (see page 14).

SELECT door – (standard and special dimensions) – leaf lining made of galvanized steel sheet – T-10 trapezium – with a vertical, horizontal or slanted leaf infill orientation and polyester paint coating. Depending on the dimensions and accessories, the SELECT garage doors feature a crosspiece connecting the horizontal tracks (see page 7). For leaf stabilization and comfort, the garage doors are equipped with side slides. The door is available with thermal insulation (the thermally insulated leaf is infilled with a PVC panel from the inside), a wicket door (with selected models only), glazing (portholes), or with a ventilation grille.

CITY door – the door leaf lining is made of galvanized steel sheet – T-10 trapezium – with a vertical infill orientation, coated with polyester paint. Four perforation patterns with ventilation holes measuring 50 × 20 [mm] are available. Together with the door dimensions, the holes determine the perforation area (see page 9). Two shutter-type infill patterns are also available. The latch cables are protected with a metal sheath (except for pattern 30), see page 6. The door is fitted with a crosspiece connecting the horizontal tracks. The door is not available with thermal insulation or wicket door options.

CONNECT door – leaf made of galvanized steel sheet with polyester coating. It consists of same width panels with a horizontal (pattern H) or vertical (pattern V) rib pattern. As standard, the CONNECT garage doors are equipped with an opening frame in the door colour, steel latch bolts, and (depending on the dimensions and accessories – see page 7) a crosspiece connecting the horizontal tracks. The door is available with thermal insulation (the thermally insulated leaf is infilled with a PVC panel from the inside), wicket door and renovation frame for typical dimensions (see page 15).



UP AND OVER DOOR INFILL PATTERNS

Distances between the ribs depend on the dimensions and are as follows:

- low rib infill type: 75-90 mm
- high rib infill type: 135-170 mm



Vertical low



Pattern 1
Horizontal low



Pattern 2
Horizontal high



Pattern 4
Vertical high



Pattern 5
Vertical high with a strip



Pattern 3
Horizontal high with a strip



Pattern 6



Pattern 7



Pattern 20



Pattern 30



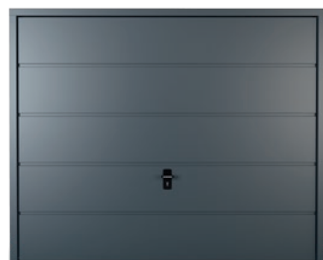
Pattern 40



Pattern 50



Pattern V
Vertical high



H design
Horizontal high



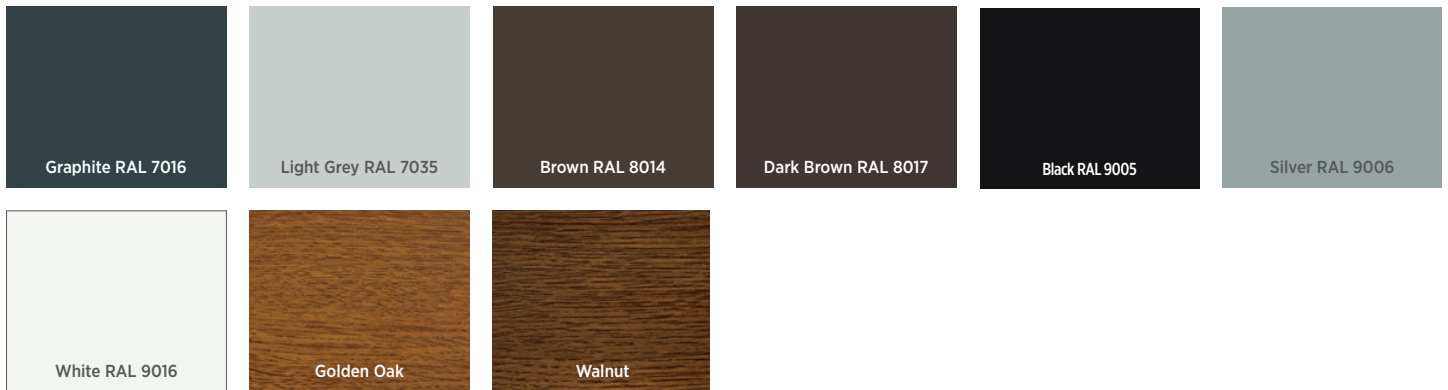
Pattern 8
Horizontal low - shutter



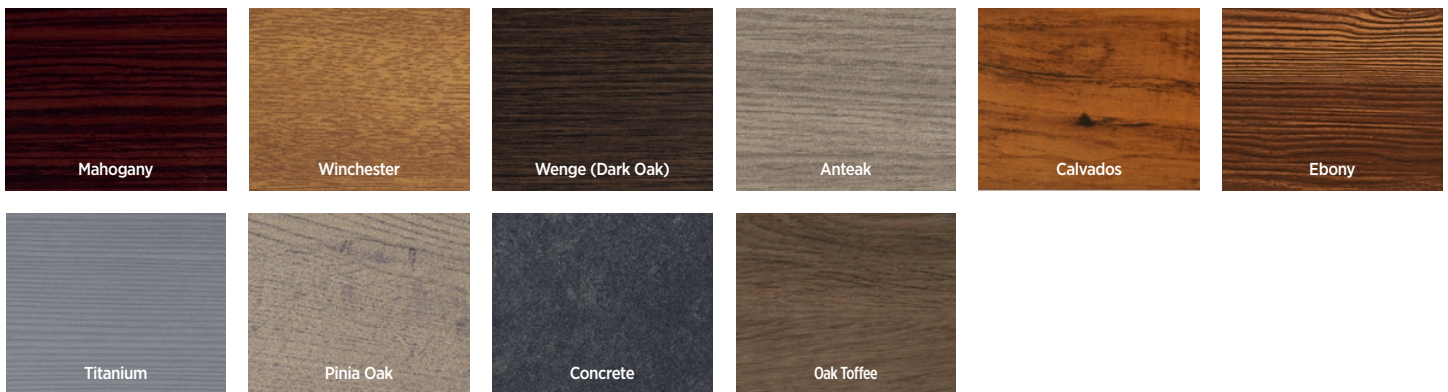
Pattern 9
Horizontal high - shutter



AVAILABLE COLOURS:



DECOR COLOURS – CONNECT DOOR



UP AND OVER DOOR SKIN COLOURS.

NOVUM	PROGRESS, KOMFORT, SELECT	CONNECT	CITY
RAL 7016 anthracite grey RAL 8014 sepia brown RAL 8017 chocolate brown RAL 9016 traffic white	RAL 7016 anthracite grey RAL 7035 light grey RAL 8014 sepia brown RAL 8017 chocolate brown RAL 9005 black RAL 9006 white aluminium RAL 9016 traffic white golden oak, nut brown	RAL 7016 anthracite grey RAL 7035 light grey RAL 8014 sepia brown RAL 8017 chocolate brown RAL 9005 black RAL 9016 traffic white golden oak, nut brown Dekor: Mahogany, Winchester, Wenge (Dark Oak), Anteak, Calvados, Ebony, Titanium, Pinia Oak, Concrete, Oak Toffee.	RAL 7016 anthracite grey RAL 7035 light grey RAL 8014 sepia brown RAL 8017 chocolate brown RAL 9005 black RAL 9006 white aluminium RAL 9016 traffic white

The infill in a RAL colour has a smooth glossy structure. The outside of the door leaf can be painted in any RAL palette colour (excluding pearlescent, reflective, and metallic colours), as well as in the ANTHRACITE colour.



We offer a wide range of colours in response to the needs and ideas of our customers who expect a durable, appealing, and original look. The customer can match the garage door colour to the elevation, windows, doors, and finishing elements of the building. For customers looking for garage doors in unique colours, we offer powder coating in over 200 RAL palette colours. As standard, the leaf is painted on both sides. It is possible to choose single-sided painting on the external side, which reduces the price of the door. When painted on one side only, the internal side of the element may show traces of spraying.



DOOR LOCK / HANDLE

The lock is fitted with a single-side lock cylinder, the lock cylinder is accessible from the outside (three keys), from the inside the lock is operated with a latch. The lock bolts the door on both sides, the locking system uses latching deadbolts. Three-point locking is available as an option.

A black plastic handle with a cover plate (PVC-1) is installed on the outside of the door leaf, while a black plastic handle is installed on the inside. The lock with a bolting system can be coupled with a drive unit. The CONNECT, KOMFORT and SELECT doors can be ordered without the handle, but the price remains the same.

Door type		NOVUM, PROGRESS KOMFORT, SELECT	PROGRESS, KOMFORT, SELECT (with wicket door)	CITY	CONNECT
Bolting type					
Two point	plastic latches	standard	—	—	—
	steel latches	option	standard	standard	standard

The up and over doors can be equipped with steel self-locking latches which replace the plastic ones

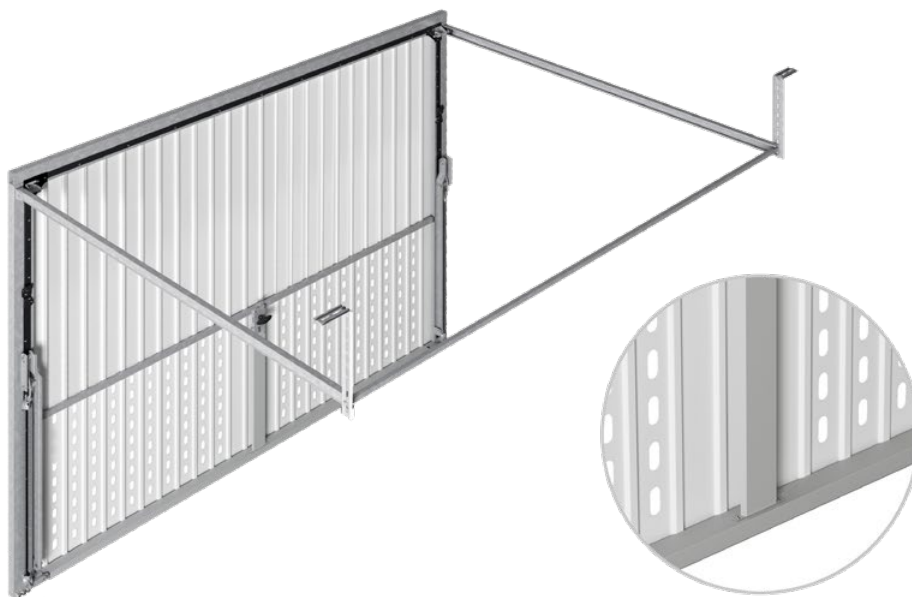


Steel self-locking latch



Plastic self-locking latch

Because of the perforations in the CITY doors, a special acrylic sheet cover is used to conceal the cable of the latching device.



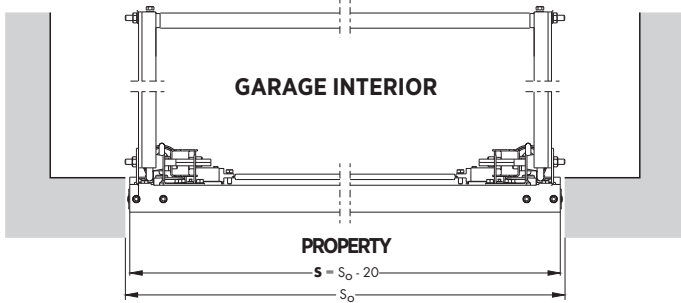
CITY door

Fascia panel



TECHNOLOGICAL DESCRIPTION AND INSTALLATION CONDITIONS

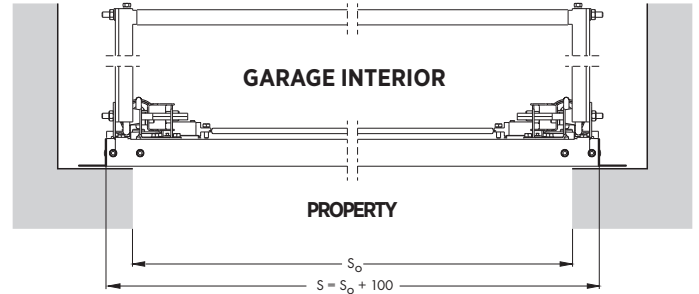
Installation in the opening



Installation in the opening (horizontal cross-section) of the NOVUM, PROGRESS, KOMFORT, SELECT, CITY, and CONNECT doors.

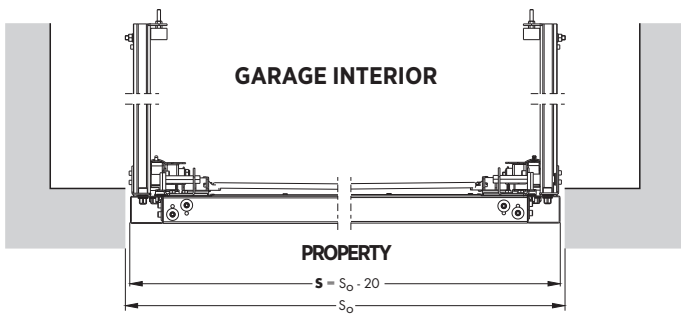
The KOMFORT and SELECT doors with wickets in the $S \leq 2700$ and $H \leq 2220$ dimensional range and doors without wickets in the $S \leq 2800$ and $H \leq 2300$ dimensional range – are fitted with a crosspiece connecting the horizontal tracks.

Installation behind the opening



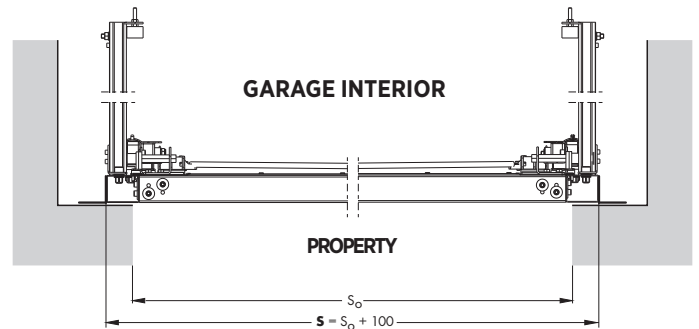
Installation behind the opening (horizontal cross-section) of the NOVUM, PROGRESS, KOMFORT, SELECT, CITY, and CONNECT doors.

The KOMFORT and SELECT doors with wickets in the $S \leq 2700$ and $H \leq 2220$ dimensional range and doors without wickets in the $S \leq 2800$ and $H \leq 2300$ dimensional range – are fitted with a crosspiece connecting the horizontal tracks.



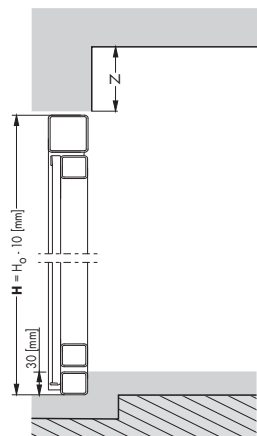
Installation in the opening (horizontal cross-section) of the KOMFORT, SELECT, and CONNECT doors.

Doors with wickets in the $S > 2700$ and $H > 2220$ dimensional range and doors without wickets in the $S > 2800$ and $H > 2300$ dimensional range – are not fitted with a crosspiece connecting the horizontal tracks.

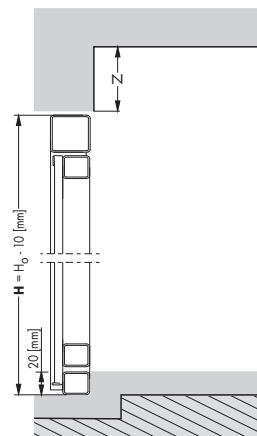


Installation behind the opening (horizontal cross-section) of the KOMFORT, SELECT, and CONNECT doors.

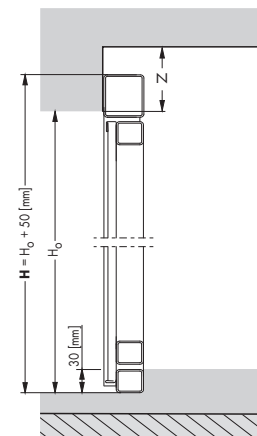
Doors with wickets in the $S > 2700$ and $H > 2220$ dimensional range and doors without wickets in the $S > 2800$ and $H > 2300$ dimensional range – are not fitted with a crosspiece connecting the horizontal tracks.



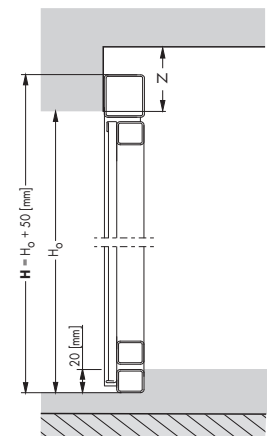
Installation in the opening – vertical cross-section (KOMFORT, SELECT, CONNECT).



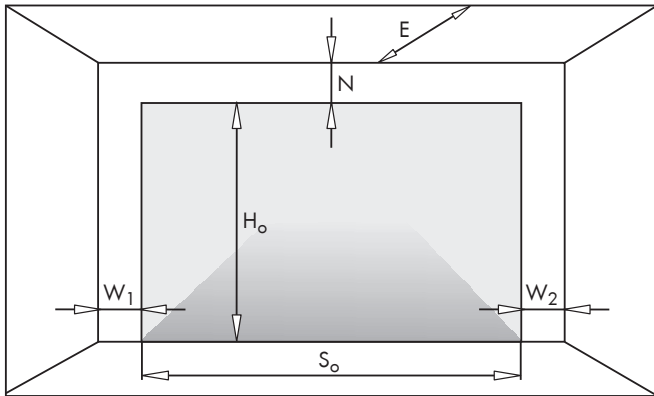
Installation in the opening – vertical cross-section (NOVUM, PROGRESS, CITY).



Installation behind the opening – vertical cross-section (KOMFORT, SELECT, CONNECT).



Installation behind the opening – vertical cross-section (NOVUM, PROGRESS, CITY).



Installation dimensions and their designation required for correct selection and installation of WIŚNIOWSKI up and over doors.

- S_o - opening width,
- S_j - clear passage width after door installation,
- S** - door width, ordering dimension,
- H_o - opening height,
- H_j - clear passage height after door installation,
- H** - door height, ordering dimension,
- N - required lintel,
- W₁ - required side clearance,
- W₂ - required side clearance,
- E - garage depth with clearance under the ceiling,
- L_s - drive rail length.

Installation parameters for up and over doors

			Installation in the opening	Installation behind the opening
N_{min}	manual	NOVUM, PROGRESS, CITY	0 [mm]	60 [mm]
		KOMFORT, SELECT, CONNECT*		
	automatic	NOVUM, PROGRESS, CITY, KOMFORT, SELECT	60 [mm]	120 [mm]
		CONNECT*	0 [mm]	60 [mm]
W₁ and W₂			0 [mm]	100 [mm]

*For dimensions outside the following ranges:

- S ≤ 2,800 [mm] and H ≤ 2,300 [mm] for doors without wickets,
- S ≤ 2,700 [mm] and H ≤ 2,220 [mm] for doors with wickets.

Required lintel for installation in the opening 60 [mm], behind the opening 120 [mm].

Required garage depth

			Garage door height H [mm]	Installation in the opening	Installation behind the opening
Manual	NOVUM PROGRESS CITY KOMFORT SELECT CONNECT	1,600÷1,880	1,600 [mm]		
		1,890÷2,220	1,800 [mm]		
		2,230÷2,700	2,100 [mm]		
With a drive unit	MOTO	L _s + 300 [mm] (L _s = 2,900 [mm])			
	METRO	L _s + 410 [mm]			
	SPARK	L _s + 363 [mm]			

Minimum garage door dimensions

- **SELECT, KOMFORT garage doors**
S = 1,500 [mm] and H = 1,900 [mm] for the standard version of the opening frame,
S = 1,900 [mm] and H = 1,900 [mm] for the version with a renovation frame.
S_{max} = 3,100 [mm] when 1,800 [mm] ≤ H < 1,900 [mm] for the version with standard and renovation frames.
- **CONNECT garage doors**
S = 1,900 [mm] and H = 1,900 [mm].
S_{max} = 3,100 [mm] when 1,800 [mm] ≤ H < 1,900 [mm].



Standard dimensions

Opening frame dimensions ⁽¹⁾ S x H [mm]	Opening dimensions S _o x H _o [mm]		Clear passage dimensions S _j x H _j [mm]
	Installation in the opening	Installation behind the opening	
2380 x 1990	2400 x 2000	2280 x 1940	2150 x 1790
2380 x 2090	2400 x 2100	2280 x 2040	2150 x 1890
2380 x 2150	2400 x 2160	2280 x 2100	2150 x 1950
2380 x 2230	2400 x 2240	2280 x 2180	2150 x 2030
2480 x 1990	2500 x 2000	2380 x 1940	2250 x 1790
2480 x 2050	2500 x 2060	2380 x 2000	2250 x 1850
2480 x 2090	2500 x 2100	2380 x 2040	2250 x 1890
2480 x 2150	2500 x 2160	2380 x 2100	2250 x 1950
2480 x 2195	2500 x 2205	2380 x 2145	2250 x 2000
2480 x 2230	2500 x 2240	2380 x 2180	2250 x 2030
2580 x 1990	2600 x 2000	2480 x 1940	2350 x 1790
2580 x 2050	2600 x 2060	2480 x 2000	2350 x 1850
2580 x 2090	2600 x 2100	2480 x 2040	2350 x 1890
2580 x 2150	2600 x 2160	2480 x 2100	2350 x 1950
2580 x 2230	2600 x 2240	2480 x 2180	2350 x 2030
2605 x 2195	2625 x 2205	2505 x 2145	2375 x 2000
2730 x 2090	2750 x 2100	2630 x 2040	2500 x 1890
2730 x 2150	2750 x 2160	2630 x 2100	2500 x 1950
2730 x 2230	2750 x 2240	2630 x 2180	2500 x 2030
2980 x 2090	3000 x 2100	2880 x 2040	2750 x 1890
2980 x 2230	3000 x 2240	2880 x 2180	2750 x 2030

Door selection – standard dimensions.

Special dimensions

Opening frame dimensions ⁽¹⁾ S x H [mm]	Opening dimensions S _o x H _o [mm]		Clear passage dimensions S _j x H _j [mm]
	Installation in the opening	Installation behind the opening	
S	S _o - 20 [mm]	S _o + 100 [mm]	S - 230 [mm]
H	H _o - 10 [mm]	H _o + 50 [mm]	H - 200 [mm]

Door selection – special dimensions.

Perforated area in the CITY doors in [m²]

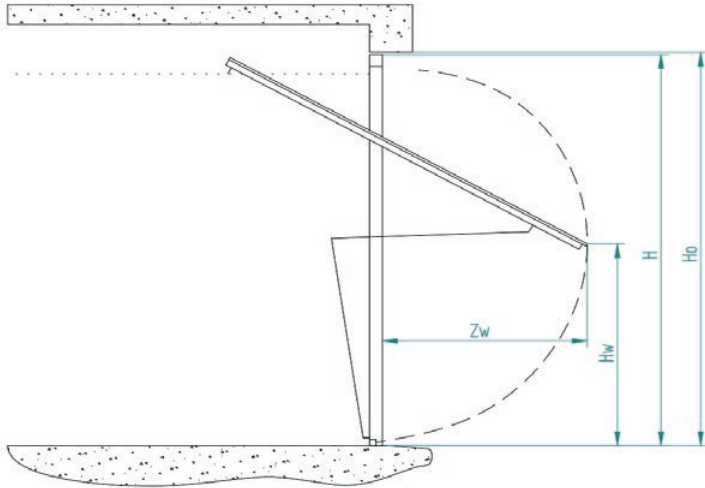
Opening frame dimensions ⁽¹⁾	Pattern 20, Pattern 30	Pattern 40	Pattern 50
2380 x 1990	0,11	0,22	0,34
2380 x 2090			0,45
2380 x 2150			0,45
2380 x 2230			0,45
2480 x 1990	0,12	0,24	0,35
2480 x 2050			0,35
2480 x 2090			0,47
2480 x 2150			0,47
2480 x 2195			0,47
2480 x 2230			0,47
2580 x 1990	0,12	0,25	0,37
2580 x 2050			0,37
2580 x 2090			0,50
2580 x 2150			0,50
2580 x 2230			0,50
2605 x 2195	0,12	0,25	0,50
2730 x 2090	0,13	0,26	0,52
2730 x 2150			0,52
2730 x 2230			0,52
2980 x 2090	0,14	0,29	0,57
2980 x 2230			0,57

Perforated area in the CITY doors.

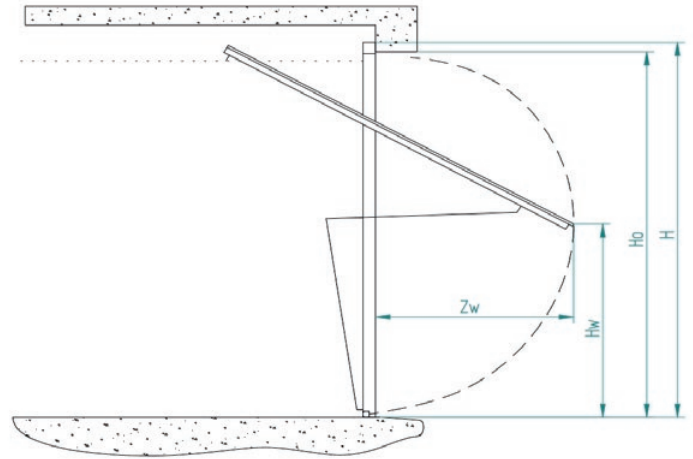
⁽¹⁾ - Ordering dimension

Door leaf projection for the NOVUM, PROGRESS, CITY, KOMFORT, SELECT, and CONNECT garage doors

Installation in the opening



Installation behind the opening



Designation:

Ho - opening height

H - door ordering height

Hw - height of the point of the maximum projection of the door

Zw - maximum projection of the door

Projection table

Door height	Zw [mm] for garage doors with an opening frame				Hw [mm]
	40 mm	60 mm	80 mm	renovation	
1,990-2,220	941-1,134	961-1,154	981-1,174	951-1,144	1,031-1,214
2,221-2,400	1,023-1,179	1,043-1,199	1,063-1,219	1,033-1,189	1,147-1,277
2,401-2,700	1,180-1,452	1,200-1,472	1,220-1,492	1,190-1,462	1,277-1,451

COMMENTS:

1. Door with a bottom brush seal: **Zw** + 20 [mm].



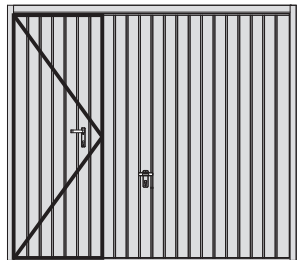
OPTIONAL ACCESSORIES

WICKET DOOR

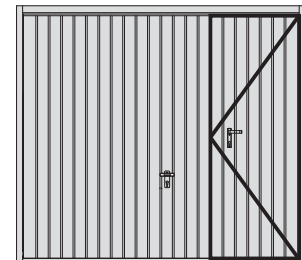
- The wicket door in a garage door up to 2400 [mm] high covers the entire height of the garage door leaf.
- The wicket door in a garage door over 2400 [mm] high has a 1940 [mm] clear wicket passage height.
- Clear passage width 860 [mm].
- Wicket door swing directions and hinge positions are provided in the figures below.
- The wicket door is always an outswing door.
- The main lock of the door and the wicket lock are fitted as standard with an identical lock cylinder featuring a one-key system. This does not apply to doors with the following optional accessories: anti-burglary lock cylinder, auxiliary lock in the wicket, three-point locking of the leaf (with the Gerda lock).
- The wicket door is outfitted with a black handle with a cover plate on both sides and a lock with a lock cylinder (three keys).
- The wicket door option in automatic doors includes a wireless wicket door opening sensor for doors with the MOTO io and METRO Smart io drive units, and a wired wicket door opening sensor for doors with the STARK drive unit (an extra charge for the sensor is added automatically as priced).
- The wicket door is not available for the PROGRESS garage doors (manually operated and automatic) with the following dimensions: 2,980 x 2,090 and 2,980 x 2,230 [mm], and for the KOMFORT, CONNECT, and SELECT garage doors with the MOTO io drive unit and with the dimension $S > 3,100$ [mm].

Wicket door for the CONNECT door

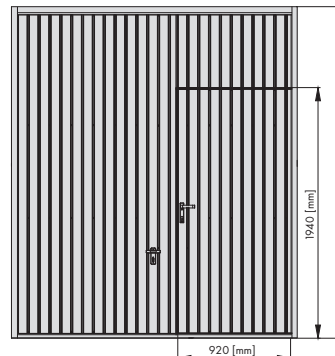
- The wicket door option is available with the CONNECT V garage doors up to 2400 [mm] high. In the Pattern V garage door with a wicket door, 2 wicket door panels are same width (2 x 435 [mm]).
- For $S \leq 2800$ [mm], 5 panels are used (the panel difference between the wicket and the remaining part of the garage door is from 20 to 100 [mm] in standard dimensions and from 5 to 180 [mm] in special dimensions).
- For $S > 2800$ [mm], 7 panels are used (the panel difference between the wicket and the remaining part of the garage door is up to 80 [mm] in standard dimensions and from 5 to 130 [mm] in special dimensions).
- The wicket door option is available with the CONNECT H garage doors up to 2,400 [mm] in height (wicket door along the entire height of the garage door) and in the $2,300 \leq S \leq 3,100$ [mm] width range. The wicket door is not available for the CONNECT garage doors with the MOTO io drive unit and with the dimension $S \leq 3,100$ [mm].
- Wicket restrictor – standard.



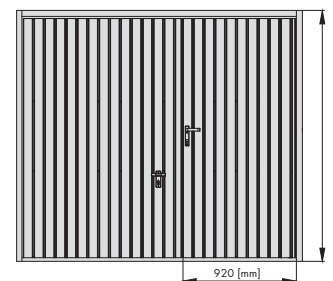
Left wicket door - as seen from the outside.



Right wicket door - as seen from the outside.

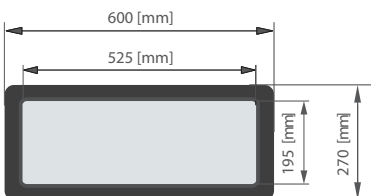


For the wicket door in a garage door over 2400 [mm] high, the clear wicket passage height is 1940 [mm].



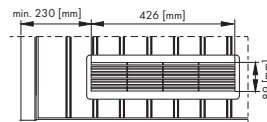
The wicket door in a garage door up to 2400 [mm] high covers the entire height of the garage door leaf.

PORTHOLES

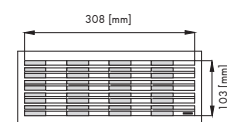


Type A-1 – made of double, clear acrylic glass, with rough frame surface. The external frame is available in RAL 7016, RAL 8003, RAL 8011, RAL 8014, RAL 8017, RAL 9005, RAL 9016. The internal frame is always white. External/internal frame made of PVC. External dimensions of the frame 600 x 270 [mm]. Light transmission 86%.

VENTILATION GRILLES



K-1 ventilation grille



K-3 ventilation grille

K-1 ventilation grille

Ventilation grille dimensions 426 x 89 [mm] (clear dimensions). The ventilation grille is available in the RAL 8014, RAL 8017, RAL 9005, RAL 9016, RAL 8003, RAL 8011, RAL 8016, RAL 7016, RAL 9006 colours. Actual ventilation area about 0.02 [m²].

K-3 ventilation grille

Ventilation grille dimensions 308 x 103 [mm] (clear dimensions). Available in the RAL 9005 and RAL 9016 colours. Grille with a double mosquito screen and air flow adjustment. In doors without thermal insulation, the mosquito screen is adjustable from the outside of the door, in doors with thermal insulation, it is adjusted from the inside of the door. Actual ventilation area about 0.015 [m²].



AUXILIARY LOCK IN THE WICKET DOOR

The wicket door can be outfitted with an auxiliary flush-mounted mortise lever lock with a lock cylinder and three keys or a Gerda lock complete with four keys.

ONE-KEY SYSTEM

Doors with a wicket door can feature a one-key system. The lock in the wicket door and the main lock of the door are fitted with an identical lock cylinder.

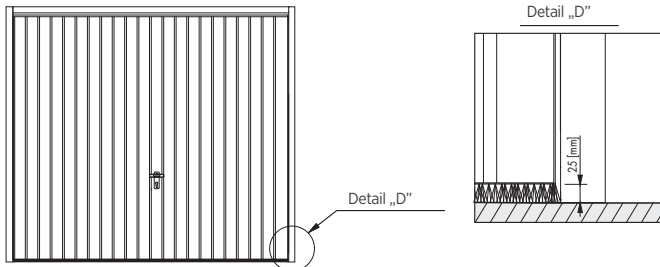
This does not apply to doors with the following optional accessories: anti-burglary lock cylinder, auxiliary lock in the wicket door, three-point locking of the leaf (with the Gerda lock).

PADLOCK EYES FOR THE WICKET DOOR

The wicket door can be fitted with special eyes for padlocking.

BRUSH INSTEAD OF THRESHOLD

The brush is installed in the bottom section of the door leaf, it partially prevents dirt from penetrating inside. When a brush is installed, the door does not feature a threshold. Available with a door $S \leq 3,200$ [mm] and $H \leq 2,700$ [mm] without a wicket, and in a door $S \leq 3,100$ [mm] and $H \leq 2,700$ [mm] with a wicket. Brush height about 25 [mm]. This optional accessory is not available with the "Three-point locking of the leaf" option.



ANTI-BURGLARY LOCK CYLINDER

The regular lock cylinder in the door and/or the wicket door can be upgraded to the anti-burglary lock cylinder with a C burglary protection class. The lock cylinder is provided with 4 keys.

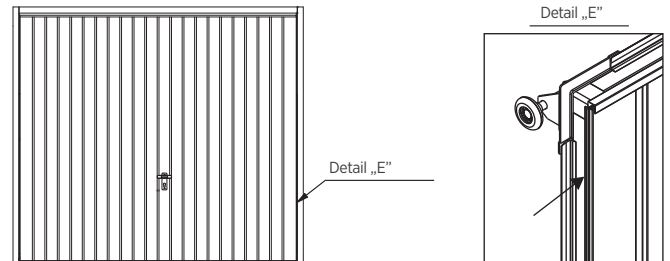
DOOR CLOSERS

Rail – can be used with the wicket door installed in manually operated and power operated doors. It is fixed to the top hardware of the wicket door from the inside of the door.

Chain – can be used with the wicket door installed in manually operated doors. Installed between the wicket door leaf and the door opening frame.

SIDE SLIDES

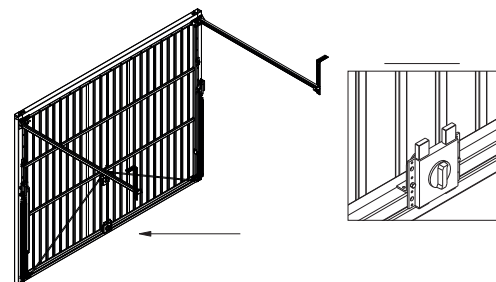
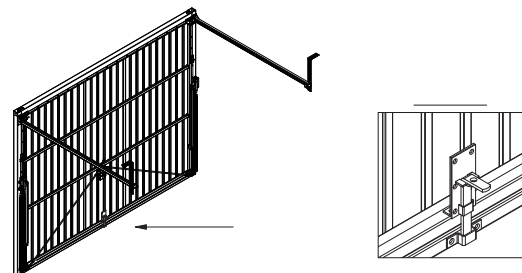
Side slides stabilize the leaf movement and improve the comfort of use. They are fixed to the vertical profile of the door leaf. The height of the side slides is about 3 [mm]. The CONNECT, KOMFORT, and SELECT doors are furnished with side slides as standard. They are available with the PROGRESS doors as an optional accessory.



BOLTING

The door can be bolted to the door threshold with a deadbolt (sliding bolt), Gerda lock or a latching deadbolt.

The deadbolt (sliding bolt) allows the door to be manually locked and opened only from the inside (it is not connected to the bolting system of the lock). The Gerda lock allows the door to be manually locked and opened from the inside and outside (it is not connected to the bolting system of the lock). The latching deadbolt is connected to the bolting system of the lock (steel or plastic deadbolt).

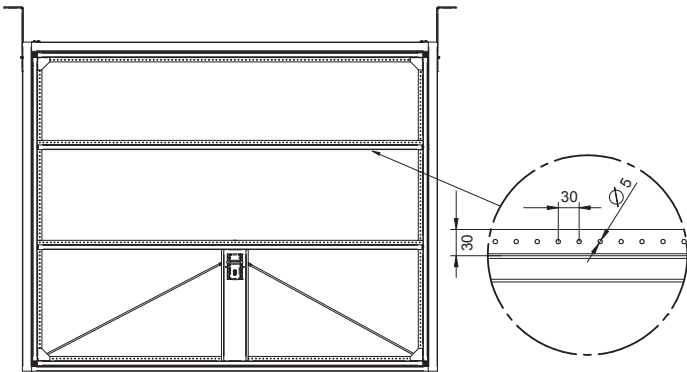




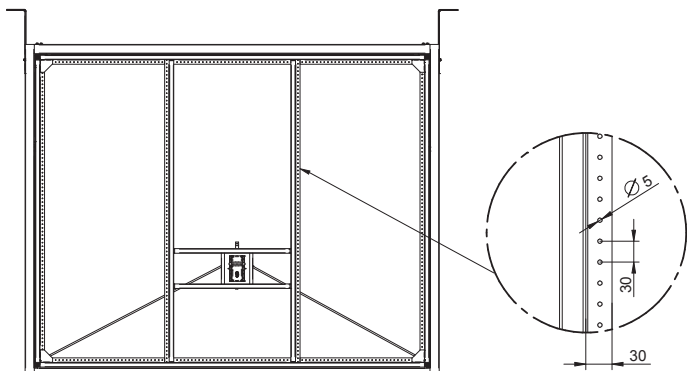
GARAGE DOOR FOR A CUSTOM INFILL

Garage door for a custom infill – the structure is based on the KOMFORT door, available in two options: for a vertical and horizontal infill. The structure is reinforced with special angle bars with perforation, which enables easy installation of the infill to the door leaf.

Maximum infill weight: 10 kg/m². Maximum infill thickness: 26 mm



KOMFORT door for a vertical infill.



KOMFORT door for a horizontal infill.

ADDITIONAL LINTEL BEAM

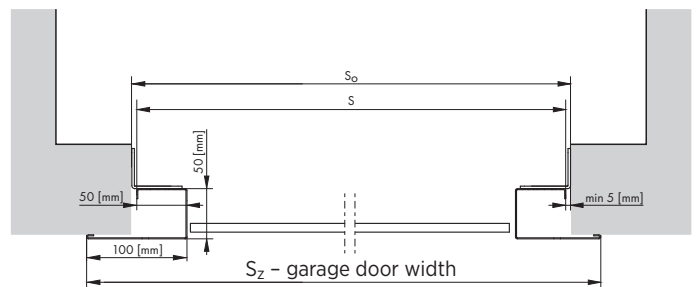
The additional lintel beam is a part of the opening frame of the door, it comes with a fascia panel that matches the colour of the lining as standard.



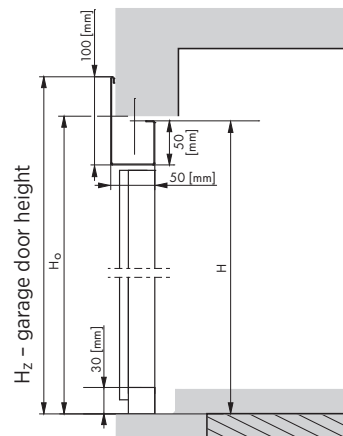
RENOVATION FRAME

The renovation frame is a solution that provides flexibility for installation and is visually attractive. This option makes it possible to adapt the opening frame with fixed dimensions to a range of widths and heights of the opening (see table below). The renovation frame is available in colours matching the garage door colour as standard (for Golden Oak and Walnut – RAL 8003 and RAL 8011, respectively). Solution available only in standard dimensions (except for width $S = 2980$ [mm]), for the KOMFORT, SELECT, and CONNECT doors without a wicket door only when installed in the opening.

Installation in the opening



Installation in the opening (horizontal cross-section) of the door with a renovation frame.



Installation in the opening (vertical cross-section) of the door with a renovation frame.

OPENING FRAME IN THE DOOR COLOUR

Opening frame (as seen from the outside) is lined with sheet in the colour matching the door lining. The SELECT (model 6, 7) and CONNECT doors have an opening frame in the door colour.





Dimensional ranges of the installation opening for the renovation frame option.

Opening frame dimensions ⁽¹⁾ , S x H [mm]	Dimensions of the garage door with a renovation frame		Opening width range enabling garage door installation		Opening height range enabling garage door installation		Clear passage dimensions	
	S _z	H _z	S _{o min}	S _{o max}	H _{o min}	H _{o max}	S _j	H _j
2380 x 1990	2480	2040	2390	2615	1995	2015	2170	1805
2380 x 2090	2480	2140	2390	2615	2095	2115	2170	1905
2380 x 2150	2480	2200	2390	2615	2155	2175	2170	1965
2380 x 2230	2480	2280	2390	2615	2235	2255	2170	2045
2480 x 1990	2580	2040	2490	2530	1995	2015	2270	1805
2480 x 2090	2580	2140	2490	2530	2095	2115	2270	1905
2480 x 2150	2580	2200	2490	2530	2155	2175	2270	1965
2480 x 2195	2580	2245	2490	2530	2200	2220	2270	2010
2480 x 2230	2580	2280	2490	2530	2235	2255	2270	2045
2580 x 1990	2680	2040	2590	2630	1995	2015	2370	1805
2580 x 2090	2680	2140	2590	2630	2095	2115	2370	1905
2580 x 2150	2680	2200	2590	2630	2155	2175	2370	1965
2580 x 2230	2680	2280	2590	2630	2235	2255	2370	2045
2605 x 2195	2705	2245	2615	2655	2200	2220	2395	2010
2730 x 2090	2830	2140	2740	2780	2095	2115	2520	1905
2730 x 2150	2830	2200	2740	2780	2155	2175	2520	1965
2730 x 2230	2830	2280	2740	2780	2235	2255	2520	2045
2980 x 2090	—	—	—	—	—	—	—	—
2980 x 2230	—	—	—	—	—	—	—	—

⁽¹⁾ - Ordering dimension



DECORATIVE MOTIFS

Decorative motifs in the form of stripes are available for the CONNECT H and CONNECT V garage doors, they are always installed in the embossing between all door panels. Available in wood effect colours: Golden Oak, Walnut, Stainless Steel, and any RAL palette colour (with the exception of colours with a metallic, pearl or reflective finish).



Stainless steel



Golden Oak



Walnut



Copper-clad steel

EXAMPLE UP AND OVER DOOR MODELS



Glazing in an A/H horizontal orientation over the wicket.



Glazing in an A/V vertical orientation in a garage door with a wicket.



Glazing in an A/H horizontal orientation in a garage door without a wicket.



Glazing in an A/V vertical orientation in a garage door without a wicket.



Glazing in an A/H horizontal orientation in a garage door with a wicket.



Up and over door with the K-1 ventilation grille and glazing in an A/H horizontal orientation in a garage door with a wicket.



Up and over door with the K-1 ventilation grille.



The wicket door in a garage door up to 2400 [mm] high (covers the entire height of the garage door leaf).



For the wicket door in a garage door over 2400 [mm] high (the clear wicket passage height is 1940 [mm]).



The CONNECT H up and over door with decorative motifs.



The CONNECT V up and over door with decorative motifs.



AUTOMATIC OPERATING UNIT KITS

The METRO Smart io, MOTO io, and SPARK series drive units are dedicated for garage doors and ensure full functionality and overload protection as standard.

Drive unit type		METRO Smart io	MOTO io	SPARK
				
Technical data	Power supply / Motor	220-230V, 50/60Hz / 24V DC	220-230V, 50/60Hz / 24V DC	220-240V, 50/60Hz / 24V DC
	Force	800N / 1000N	600N / 750N / 1000N	500N / 600N / 800N / 1100N
	Power consumption (power-saving mode)	< 0,5 W	< 0,5 W	< 0,5 W
	Efficiency	30%	30%	40%
	Track	single, steel	single, steel	split, steel
	Transmission	chain or belt*	chain or belt*	carriage
	Speed	max. 14 cm/s	max. 14 cm/s	max.: 18 / 24 / 21 / 18 cm/s
	Central control unit	integrated	integrated	integrated
	Radio receiver	io-homecontrol; integrated: 868-870 MHz	io-homecontrol; integrated: 868-870 MHz	WIŚNIEWSKI; integrated: 868 MHz
	Radio receiver storage:	30 transmitters	30 transmitters	40 transmitters
	Two-way radio transmission	yes	yes	yes
	Auto selection of operating parameters	yes	yes	yes
	Limit switches	encoder + mechanical bumper	encoder + mechanical bumper	encoder + mechanical limit switch
	Emergency uncoupling	yes	yes	yes
	Application	sectional / up and over	sectional / up and over	sectional / up and over
	Operating conditions	-20°C / +60°C ; IP20	-20°C / +60°C - in a dry room	-25°C / +65°C - in a dry room
	Wicket door opening sensor	yes	yes	yes
	Rotating automatic operating unit head	yes	yes	no
	Warranty	5 years	5 years	5 years
Functionality	Obstacle detection	yes	yes	yes
	Obstacle detection adjustment	4 adjustment levels	4 adjustment levels	4 adjustment levels
	Action following obstacle detection	stop and full opening	stop and full opening	stop and partial opening
	Photocells	yes	yes	yes
	Automatic closing	60 sec. / 120 sec. or after photoc.	yes, only with TaHoma Pro	yes / max. 240 sec.
	Release in end position	yes	yes	yes
	Low energy consumption mode	yes	yes	yes
	Independent exterior lighting	yes / 230V, 500 W	no	yes/ 230V, 500 W ⁽⁴⁾
	Exterior lighting control	yes	no	yes
	Auxiliary warning light	yes / 24V, 15 W	yes / 24V, 15W	yes / 24V, 25W
	Delayed drive unit light switch off	yes / fixed - 60 s	yes / fixed - 30 s	yes / fixed - 180 s
	Independent lighting control in the drive unit	yes	yes	yes
	Emergency power supply	yes	yes	yes
	Display / LEDs	no / yes	no / yes	no / yes
	Partial opening of the door - slightly open	yes	yes	yes
	Information about a fault	yes, LEDs	yes, LEDs	yes, LED
	Smart home	yes, io-homecontrol technology ⁽¹⁾	yes, io-homecontrol technology ⁽¹⁾	yes ⁽²⁾⁽³⁾
Control via the app	TaHoma switch	TaHoma switch	WIŚNIEWSKI Connected	

⁽¹⁾ - standard, wireless Smart Home, TaHoma switch required; ⁽²⁾ - standard, wireless Smart Home based on Wi-Fi, no additional central control unit required; ⁽³⁾ - option for wired Smart Home systems, CONNEX and OUTPUT boards or RELAY transmitter required for full functionality; ⁽⁴⁾ - RELAY transmitter required
* - Extra charge.

io-homecontrol is a modern, safe, and reliable radio technology by Somfy, which lets you control your devices compatible with the smart home concept. Thanks to this technology, the drive unit not only receives commands from the controllers, but it can also send feedback. The io-homecontrol technology makes it possible to connect the METRO Smart io and MOTO io drive units to the TaHoma system to provide additional functions, connecting the garage door with smart devices available at home.

WIŚNIEWSKI 868 MHz is a modern SOMIoq2 two-way radio system for controlling garage doors and entrance gates. Thanks to this technology, the drive unit not only receives commands from the transmitters, but it can also send feedback. The SPARK automatic operating units were also equipped with a wi-fi module, which makes it possible to control the gate from an application installed on a mobile device, giving the drive unit additional functionality.



OPTIONAL ACCESSORIES FOR THE MOTO AND METRO AUTOMATIC OPERATING UNITS

WALL-MOUNTED TRANSMITTER



The 3-channel transmitter makes it possible to control drive units and wireless receivers. Examples of use:

- - full opening/closing the door,
- - LED lighting under the tracks, and/or under the track fastener,
- - top panel tilt.

Wireless communication makes it possible to install it in any place and doesn't require any cables.

KEYPAD 2 CODE KEYPAD



The 2-channel code keypad makes it possible to control drive units and wireless receivers.

EXTERNAL RADIO RECEIVER io



Makes it possible to control the drive units of other manufacturers using the Pulsar transmitter. It is a two-channel device which makes it possible to program as many as 32 transmitters.

BACKUP POWER SUPPLY BATTERY



When connected to the METRO Smart io and MOTO io drive, it provides power for several cycles of emergency operation.

MECHANICAL CARRIAGE LOCK



It is an additional safeguard which increases garage door safety when mounted to the carriage.

SIGNAL LIGHT



Supports the METRO Smart io and MOTO io drive units. Warning function. Orange blinking light indicates that the door is operating.

PHOTOCELLS



They prevent uncontrolled door leaf movement when an obstacle is present within the clear passage.



OPTIONAL ACCESSORIES FOR THE SPARK AUTOMATIC OPERATING UNITS

2CH WALL-MOUNTED TRANSMITTER



2-channel device which lets you control both your drive units and radio receivers. Communication between the transmitter and the receiver occurs wirelessly, so the device can be mounted in any place. The wall-mounted transmitter has a feedback function that informs the user about the position of the door using a LED.

WIŚNIEWSKI 868 RADIO RECEIVER



It makes it possible to control other drive units with the DART and DART Vibe transmitters, and the wall-mounted transmitter. The radio receiver is a two-channel device operating at the frequency of 868 MHz, making it possible to program up to 40 transmitters.

LOCK – MOTOR LOCK



A magnetic lock which blocks the drive unit in any position of the door. An additional element able to withstand loads up to 300 kg, increasing door safety.

ACCU – EMERGENCY POWER SUPPLY BATTERY



Connected to the SPARK drive unit, it provides power for several cycles of emergency operation in case of the main power supply outage.

PHOTOCELLS 180



Prevent uncontrolled door leaf movement when an obstacle is present within the clear passage.

SIGNAL LIGHT



Connected to the SPARK drive unit, it has a warning function. Orange blinking light indicates that the door is operating.

CONEX – INPUT BOARD



Additional board with signal, impulse inputs, whose inputs were defined for opening and closing. Compatible with wired Smart Home systems.

OUTPUT – SIGNAL BOARD



Additional board with a signal input. Information about the position of the door: door not open (NO)/door not closed (NC). Compatible with wired Smart Home systems.

DART/ DART VIBE REMOTE CONTROL TRANSMITTER



The transmitter makes it possible to control the operation of several drive units. The DART Vibe transmitter has a feedback function in the form of vibration, which is a confirmation that the signal from the transmitter was received.



EXAMPLES OF READY PRODUCTS



up and over garage doors | white



CONNECT up and over door | anthracite



TECHNICAL DATA

	NOVUM, PROGRESS, KOMFORT, SELECT, CITY, CONNECT
Leaf	Galvanized steel sheet coated with polyester paint
Structure	Opening frame and leaf frame made of galvanized steel box sections
Optional accessories	Wicket door, thermal insulation, three-point leaf bolting, ventilation grilles, portholes, opening frame in garage door colour, brush instead of threshold, side slides, auxiliary lock in the wicket door, one-key system, padlock eyes for the wicket door, door closer, door for a custom infill, renovation frame, additional lintel beam, decorative motifs (CONNECT), anti-burglary lock cylinder
Maximum width / height of the door [mm]	4000 / 2700
Available patterns	horizontal low, vertical low, horizontal high, horizontal low, horizontal high with a strip, vertical high with a strip, perforated (CITY garage doors), CONNECT H and V pattern, slanted (herringbone) or shutter
Available colours:	standard colours, other RAL, special colours, including wood imitating colours

CONTROL THE GARAGE DOOR WITH YOUR SMARTPHONE!

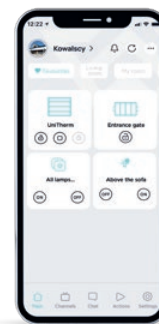
TaHoma – Your smart home

The io-homecontrol® system with radio transmission makes it possible to wirelessly connect the METRO Smart io and MOTO io drive units to the smart home controlled by Somfy's TaHoma Switch central control unit. Building a comprehensive smart home provides a number of benefits and additional features that enhance your comfort every single day. The app gives you constant access to the most important functions of the elements of your home.



The WIŚNIEWSKI Connected app – new quality as standard

When you choose WIŚNIEWSKI Connected, you don't need a smart home central control unit. WIŚNIEWSKI garage doors with the SPARK drive unit are ready to connect as standard – you can connect them to the smart home without any additional devices or extra charges. WIŚNIEWSKI Connected uses Wi-Fi instead of radio transmission and the app allows you to control the garage door from almost any place in the world.

**WIŚNIEWSKI**

WIŚNIEWSKI Sp. z o.o. S.K.A.
PL 33-311 Wielogłowy 153
tel. +48 18 44 77 111

www.wisniowski.com

Let us inspire you!
See other solutions from WIŚNIEWSKI!



The products shown in this publication often feature special accessories and do not always correspond to their standard versions • The technical data sheet does not constitute an offer within the meaning of the Polish Civil Code • The manufacturer reserves the right to introduce changes without notice • NOTE: The colours shown in the technical data sheet are for reference only • All rights reserved • Copying and use, in part or in full, is prohibited without the consent of WIŚNIEWSKI Sp. z o.o. S.K.A. • BGU/05.26/EN