

# EXTERNAL DOOR



**WIŚNIEWSKI**

GATES | WINDOWS | DOORS | FENCES

## NOBE EXTERNAL DOOR

**NOBE** doors are aluminium and steel external doors which combine excellent technical parameters with a variety of design options.

The collection includes models available for manufacture in RAL (mat structure) colours, DECOR colours, and wood effect film coatings.

The standard accessories include a main lock with an auxiliary lock, guaranteeing tightness of the door and protection against noise, cold, and wind.

### THERMAL INSULATION

The heat transfer coefficient  $U_d$  is 1.1 W/m<sup>2</sup>K for the NOBE door with reference dimensions of 1,135 x 2,080 [mm] with a solid panel.

### DESIGN

The NOBE door is characterized by universal design, but also offers a broad range of colours, decorative motifs, glazings, and accessories that allow you to match its appearance to your preferred style.

### THINK ABOUT THE FUTURE - PRODUCTS FOR THERMAL EFFICIENCY IMPROVEMENT

An investment in an energy-efficient door from WIŚNIEWSKI does not only save you money, but also helps you protect the natural environment.



NOBE door models



NOBE 100



NOBE 101



NOBE 102



NOBE 103



NOBE 104



NOBE 105



NOBE 106



NOBE 107



NOBE 108



NOBE 109



NOBE 110



NOBE 111



NOBE 112



NOBE 113



NOBE 114



NOBE 115



# NOBE external door

## CHARACTERISTICS



### Description

The NOBE single-leaf external door includes an opening frame made of three-chamber aluminium sections, with a thermal break 50 [mm] deep and a leaf with a thick rebate 62 [mm] thick made of steel sheet 0.75 [mm] thick.

### Leaf infill

The 62 [mm] thick NOBE door leaf comprises two galvanized steel sheets with an XPS board in between. The door leafs can be glazed with an inset double-chamber glass unit, finished with adhesive decorative motifs in stainless steel or with black coating. All the decorative motifs are available on the external side only.

Doors with wood effect film coating and glazing are available as standard with an edge in stainless steel or powder coated in black installed inside around the glass. The colour of the edge matches the colour of the selected hardware (stainless steel colour/black colour).

The glass in the panel glazing is made with warm edges in black as standard.

### Dimension

The NOBE doors are available in standard dimensions:

- widths: 935 [mm], 1,035 [mm], and 1,135 [mm] (with 800 [mm], 900 [mm], and 1,000 [mm] clear passage respectively)
- heights: 2,080 [mm] (with 2,000 [mm] clear passage).

### Accessories

The standard accessories of the NOBE doors include a main lock and an auxiliary lock, two lock cylinders, an anti-burglary bolt, three 3D hinges with covers, and a grey aluminium and plastic threshold.

As standard, the doors are fitted with the Haga I handle – handle hardware in black colour.

### Documents certifying marketing approval

EN 14351-1:2006+A2:2016 Windows and doors – Product standard, performance characteristics – Part 1: Windows and external pedestrian doorsets without fire resisting and/or smoke control characteristics.

## ACCESSORIES

### 3D HINGES



3D hinges – cover plates in black or stainless steel colour – matching the hardware.

The NOBE doors are fitted with three 3D hinges with covers. The hinges are fitted on the side towards which the door opens, namely in the case of outswing doors, the hinges are fitted outside the room, whereas in in-swing doors, the hinges will be fitted inside the room. The colour of the hinge covers matches the colour of the hardware. In the case of black hardware, the covers will be black, and in the case of stainless steel hardware, the covers will be in stainless steel colour.

### ANTI-BURGLARY BOLT



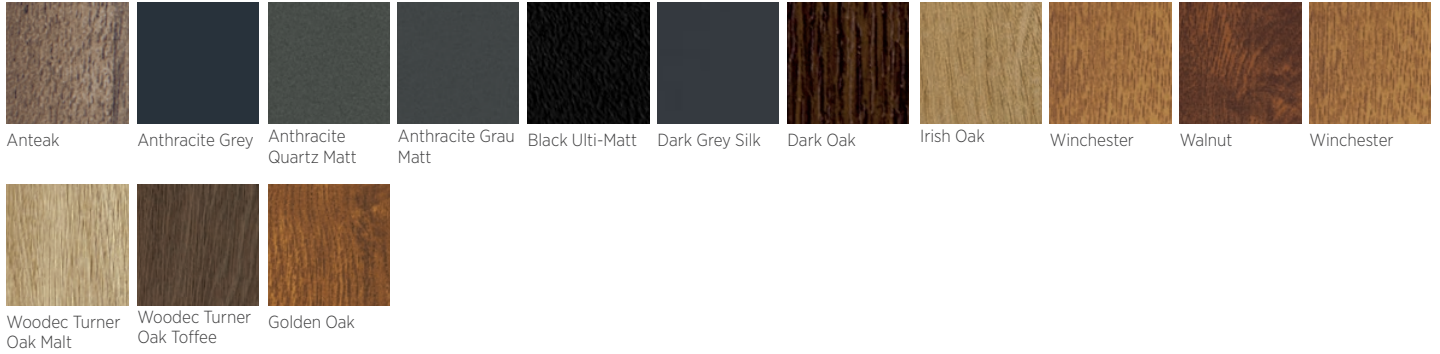
Anti-burglary bolt

As standard, the NOBE doors are fitted with an anti-burglary bolt.

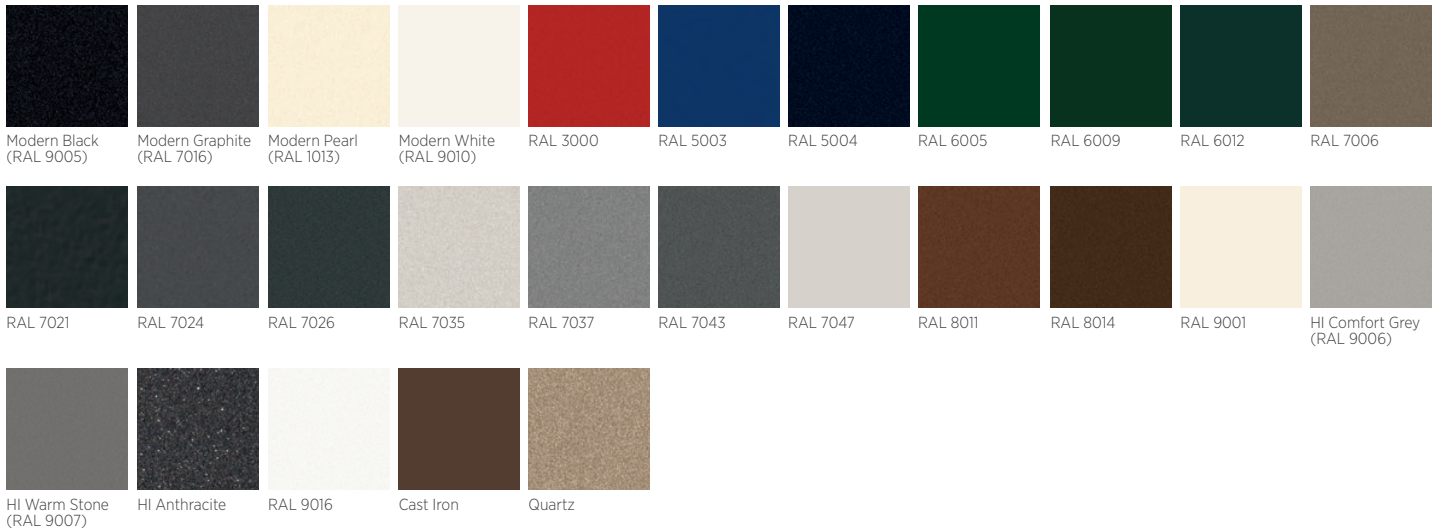


## AVAILABLE COLOURS

### Film coatings



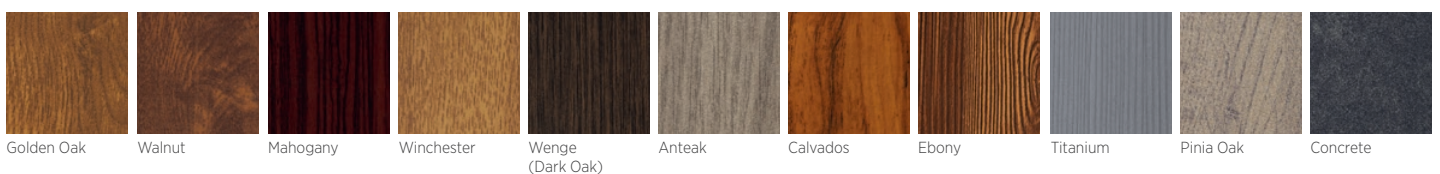
### Standard colours (mat structure)



### HOME INCLUSIVE 2.0 colours



### DECOR colours





### Special colours (mat structure)



## GLAZING

### NOBE door leaf glazings

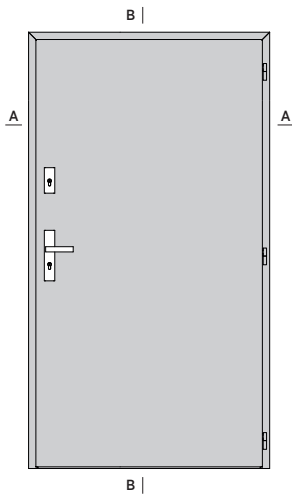


The NOBE door leaf is infilled with double-sided safety glass 44.2 forming a glass unit with a Stopsol grey, Stopsol brown or Silver glass with a two-way mirror effect. Doors with wood effect film coating and glazing are available as standard with an edge in stainless steel or powder coated in black installed inside around the glass. The colour of the edge matches the colour of the selected hardware (stainless steel/black).

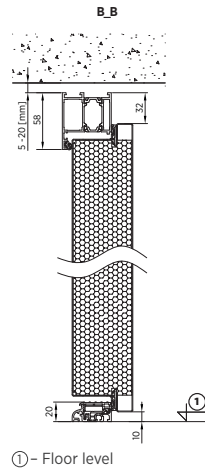


## CROSS-SECTIONS

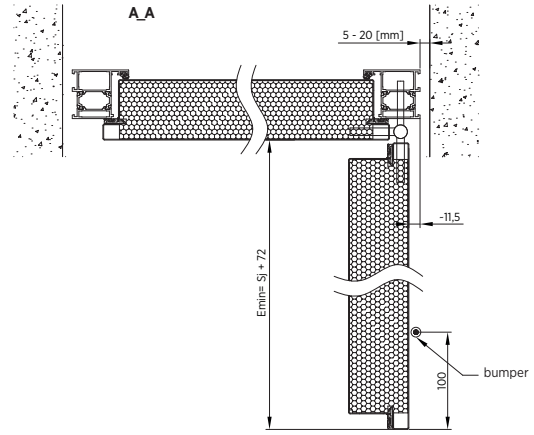
### Outswing door



NOBE door with an aluminium opening frame - outswing.

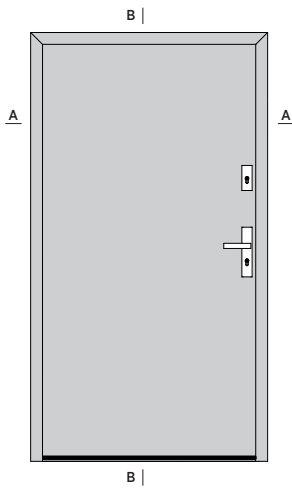


Vertical cross-section of the NOBE door - outswing.

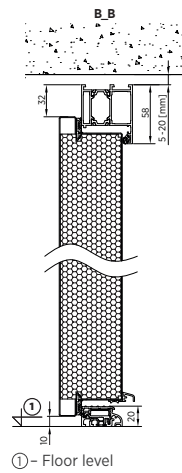


Horizontal cross-section of the NOBE door - outswing.

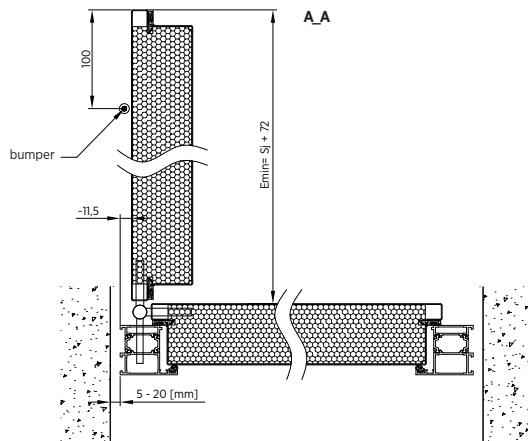
### Inswing door



NOBE door with an aluminium opening frame - inswing.



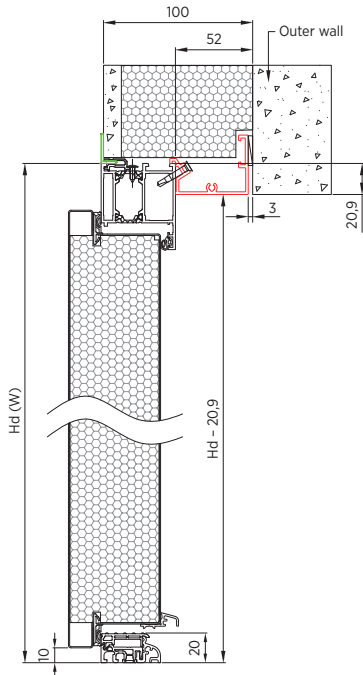
Vertical cross-section of the NOBE door - inswing.



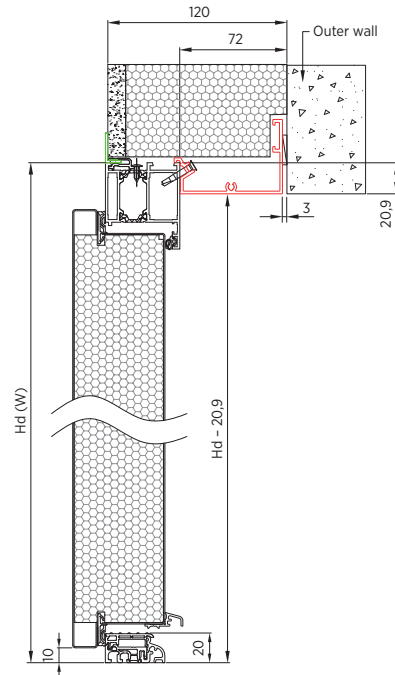
Horizontal cross-section of the NOBE door - inswing.



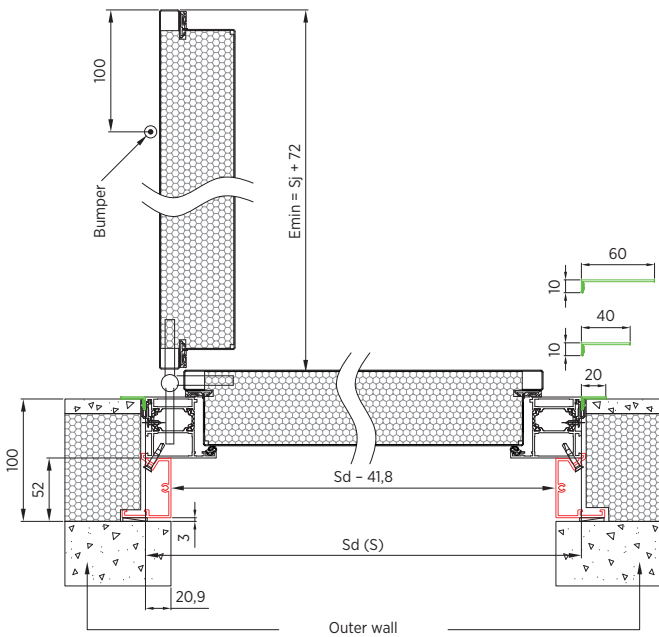
## RENOVATION SOLUTIONS



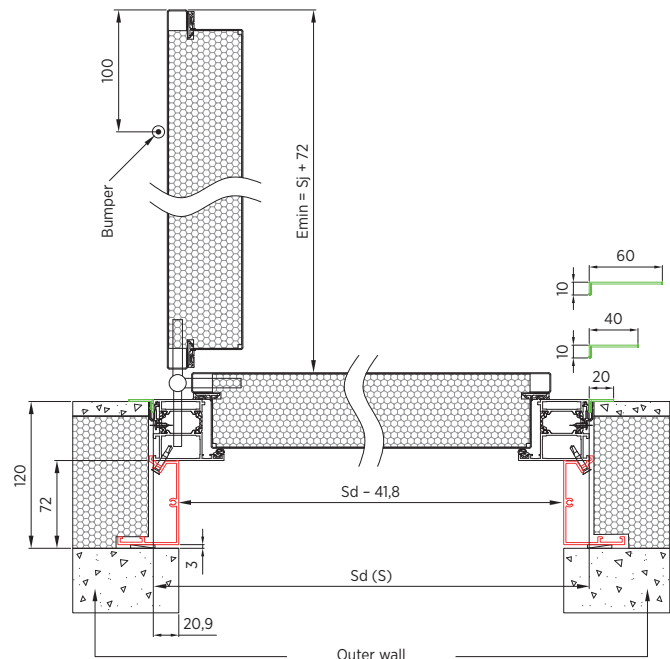
ISO 100 renovation  
- vertical cross-section - inswing



ISO 120 renovation  
- vertical cross-section - inswing



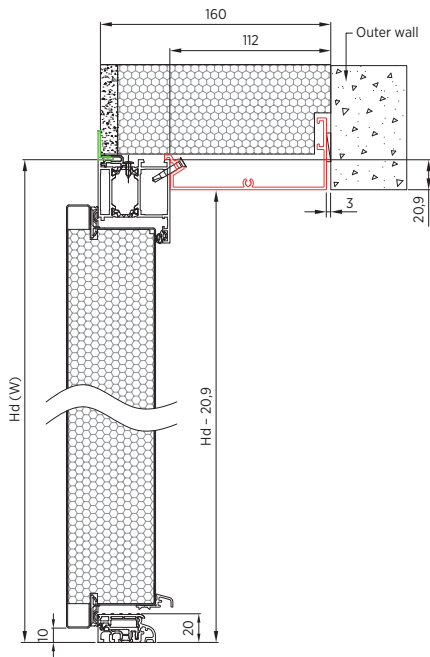
ISO 100 renovation - horizontal cross-section - inswing



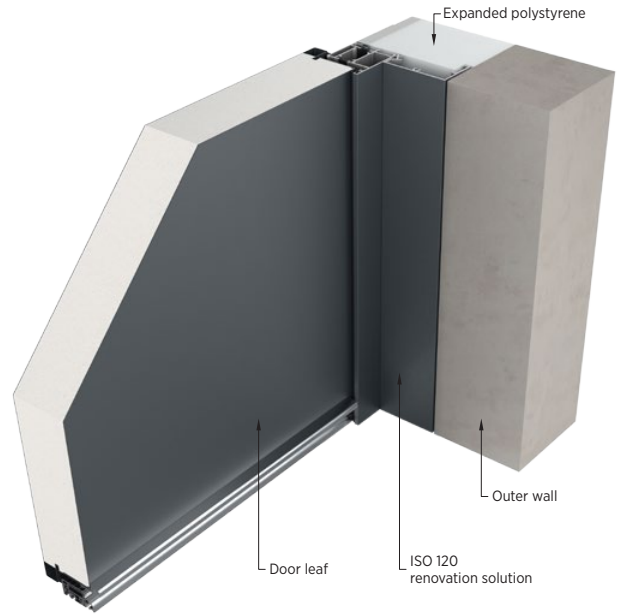
ISO 120 renovation - horizontal cross-section - inswing

### Designations:

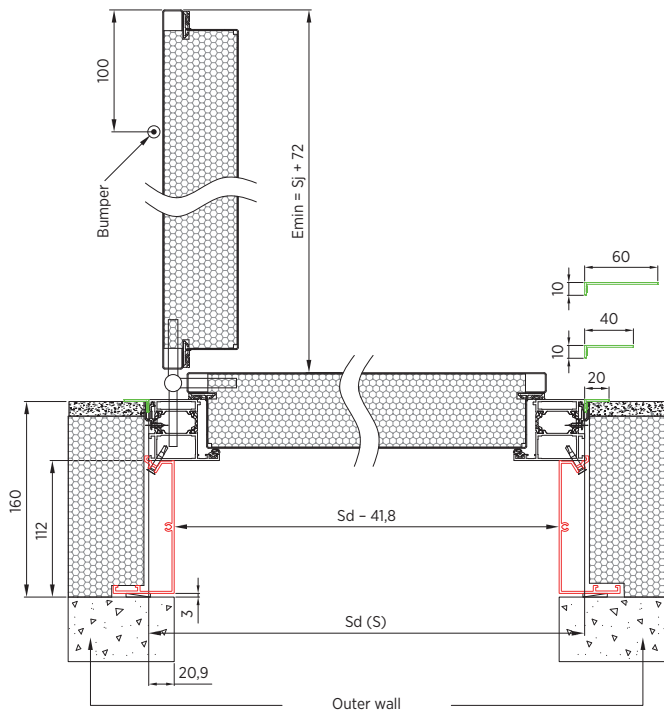
- So** - opening width,
- Sd (S)** - door ordering width,
- Ho** - opening height,
- Hd (W)** - door ordering height.



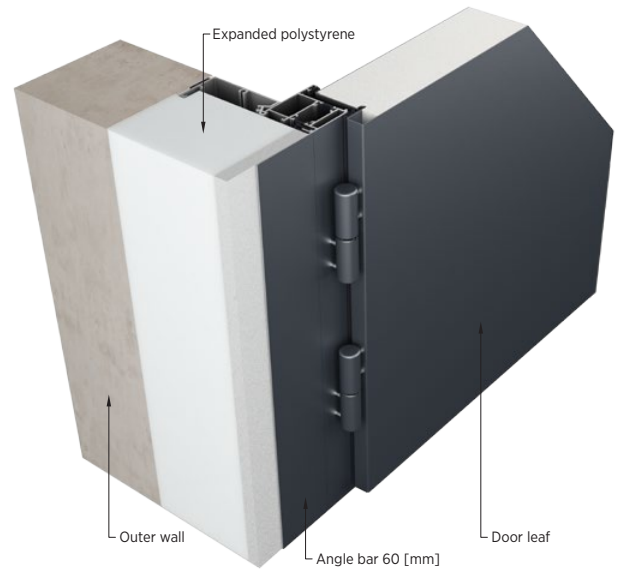
ISO 160 renovation  
- vertical cross-section - inswing



ISO 120 renovation solution with a 60 [mm] angle bar  
- as seen from the outside



ISO 160 renovation - horizontal cross-section - inswing



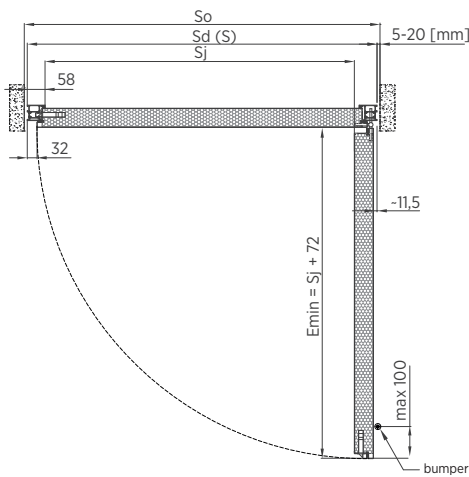
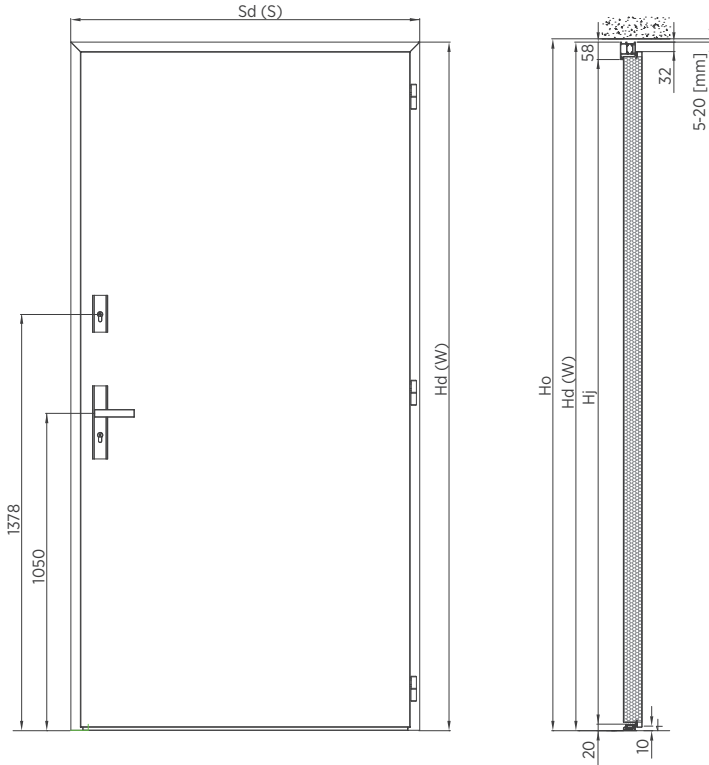
ISO 120 renovation solution with a 60 [mm] angle bar  
- as seen from the inside



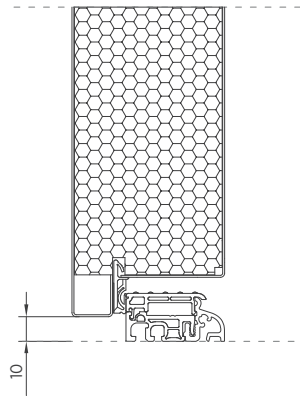
# TECHNICAL DESCRIPTION AND INSTALLATION CONDITIONS

## SELECTION OF DOOR DIMENSIONS

### Outswing



Cross-section of the threshold



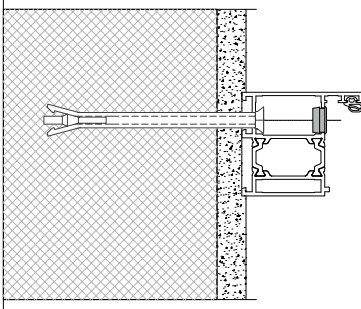
Door dimensions depending on the installation opening		Clear passage	
Sd	Hd	Sj	Hj
So - 20 [mm]	Ho - 10 [mm]	Sd - 135 [mm]	Hd - 80 [mm]

- So** - opening width,
- Sd** - door ordering width,
- Sj** - clear passage width with the leaf open at an angle of 90°,
- Ho** - opening height,
- Hd** - door ordering height,
- Hj** - clear passage height with the door installed,
- Emin** - space required to open the leaf at an angle of 90°.

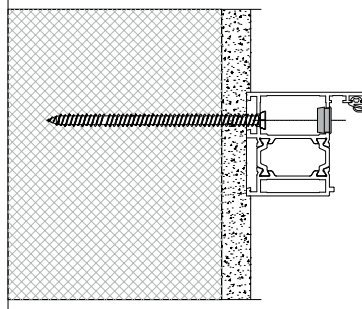
The dimensional relationships specified in the table are values recommended by the manufacturer. When determining the external dimensions of the door, take into consideration the precision of the opening performance and the floor level, which constitutes the reference for structure height measurement. Clear passage measured with the leaf open at an angle of 90° - the dimension does not include the handle.



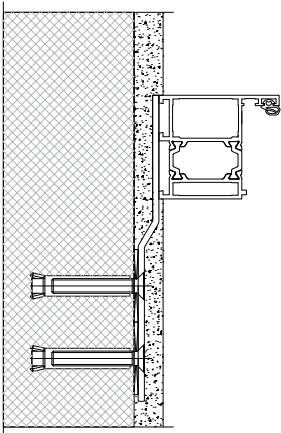
## INSTALLATION METHOD



Direct installation with rawlplugs through the opening frame.



Direct installation with tempered screws through the opening frame.



Installation with steel anchors (indirect).

## NOBE DOOR TESTS

The NOBE doors have passed a number of certification tests applicable to external doors. They do not require a roof, which is confirmed by watertightness tests.

- Thermal insulation for solid doors 1,135 x 2,080 [mm]: 1.1 [W/(m<sup>2</sup>xK)].
- Thermal insulation for glazed doors 1,135 x 2,080 [mm]: 1.2 [W/(m<sup>2</sup>xK)].
- Air permeability according to PN-EN 1026:2016 – Class 2.
- Watertightness according to PN-EN 1027:2016 – Class 2A – outswinging doors.
- Watertightness according to PN-EN 1027:2016 – Class 1A – inswinging doors.
- Wind load resistance according to PN-EN 12211:2016 – Class C2.



## PHOTO GALLERY



NOBE | 107 | Woodec Turner Oak Toffee

